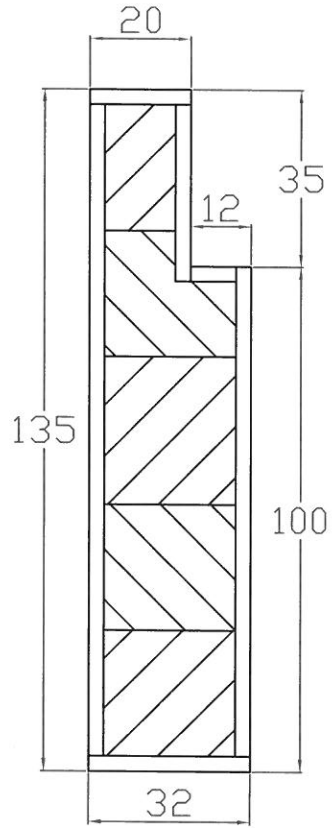


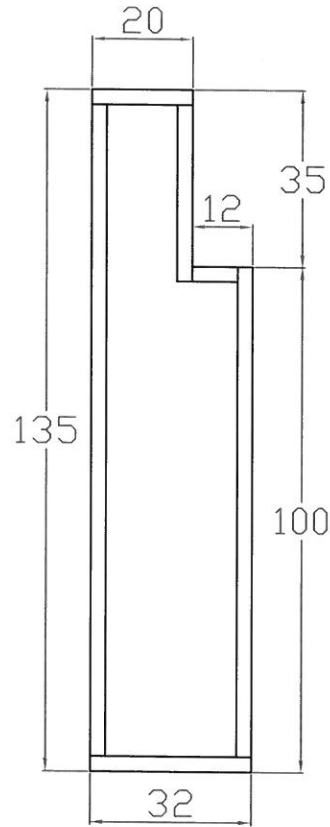


TITLE	APPROVED BY	REMARKS	DRAWN BY:	
ORD3000 ROOM DIVIDER FRAME ELEVATION			SCALE:	
			DRAWING NO:	
			CHECK BY:	
			DATE ISSUED:	ISSUE

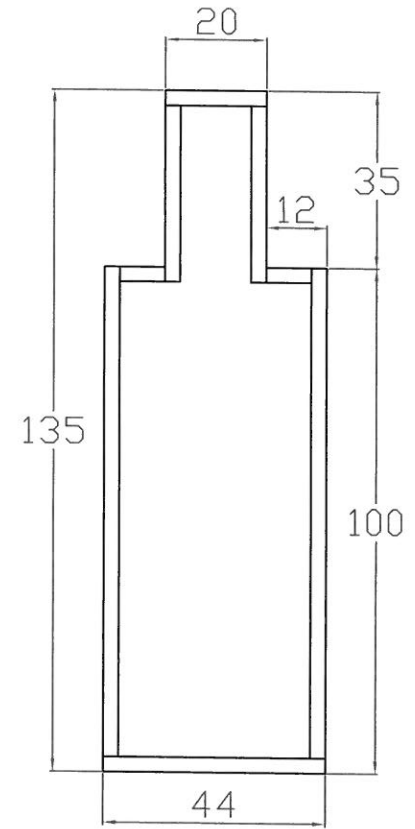
HEAD X 1  
3000mm LONG



JAMB X 2  
1997mm LONG



MULLION X 2  
1997mm LONG



PROPOSED CONSTRUCTION: 3MM WHITE OAK LAMINATE &  
OAK SUBSTITUTE CORE (NOT VISIBLE ON ANY EDGES)

	TITLE	APPROVED BY	REMARKS	DRAWN BY:
	ORD3000 OAK ROOM DIVIDER COMPONENT SECTIONS			SCALE: DRAWING NO: CHECK BY: DATE ISSUED:
				ISSUE: