



WHITE ROOM DIVIDER
FRAME ELEVATION

TITLE

APPROVED BY

REMARKS

DRAWN BY:

SCALE:

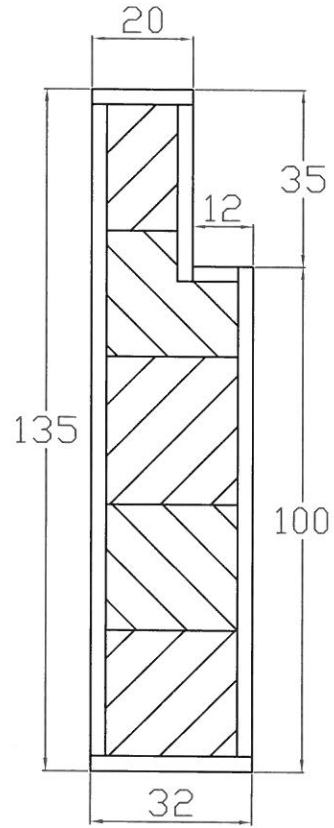
DRAWING NO:

CHECK BY:

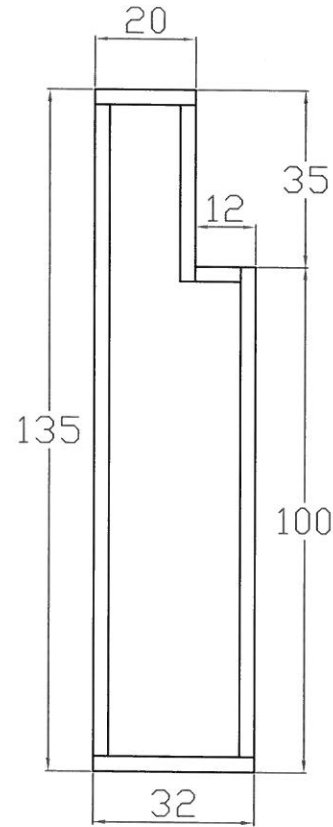
DATE ISSUED:

ISSUE

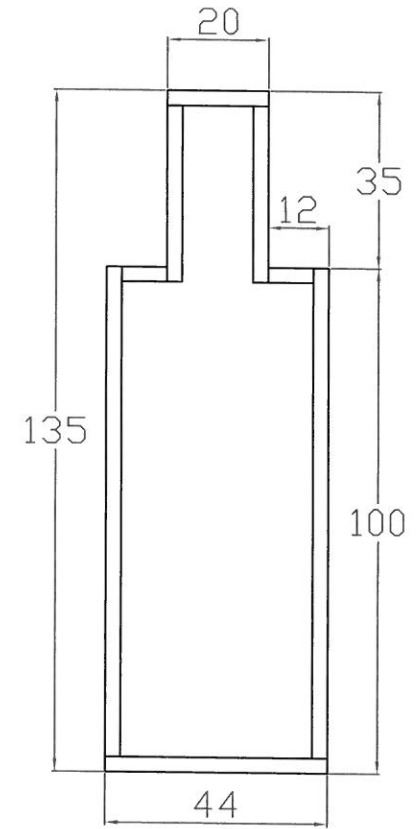
HEAD X 1
3000mm LONG



JAMB X 2
1997mm LONG



MULLION X 2
1997mm LONG



WHITE ROOM DIVIDER
COMPONENT SECTION

TITLE

APPROVED BY

REMARKS

DRAWN BY:

SCALE:

DRAWING NO:

CHECK BY:

DATE ISSUED:

ISSUE