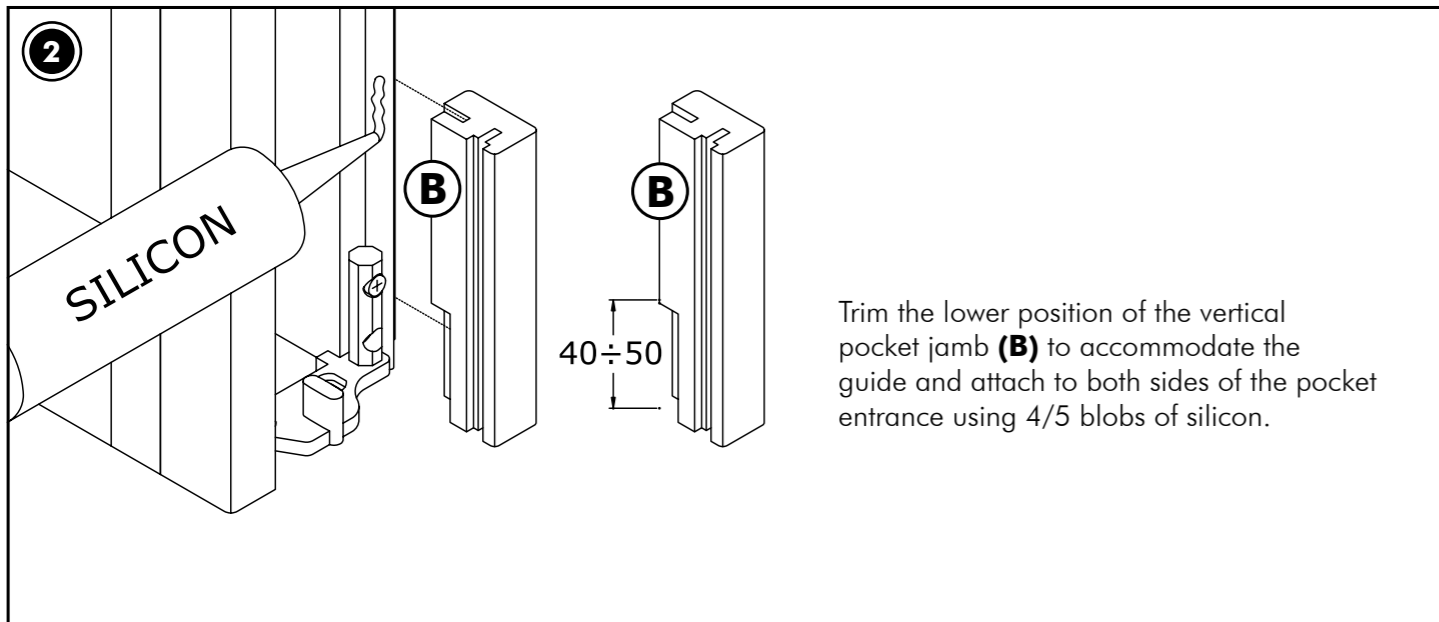
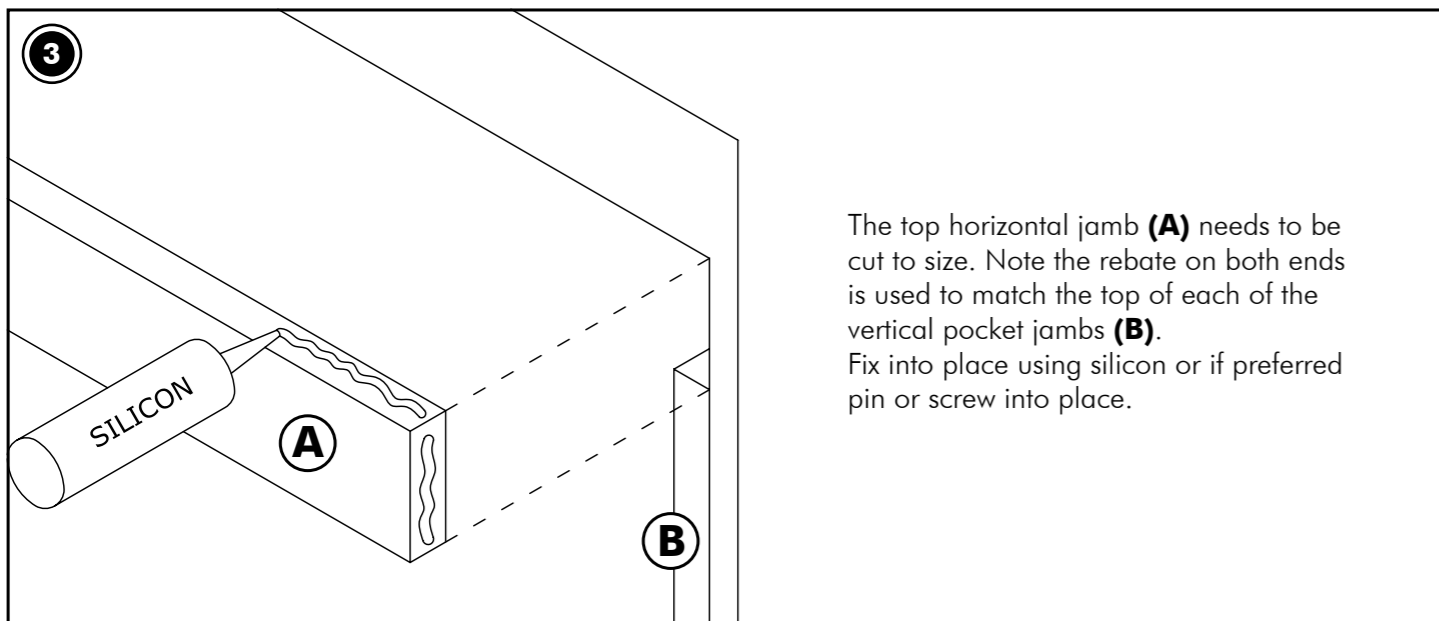


**FOR SINGLE DOORS ONLY**

Place the wooden door post **(c)** into position and drill 4 pairs of holes equidistant along its length through the recess for the rubber bumpers and through the metal door post. Countersink these holes and screw the wooden doorpost into place. Detach the rubber bumpers and insert each length into the recesses.



Trim the lower position of the vertical pocket jamb **(B)** to accommodate the guide and attach to both sides of the pocket entrance using 4/5 blobs of silicon.



The top horizontal jamb **(A)** needs to be cut to size. Note the rebate on both ends is used to match the top of each of the vertical pocket jambs **(B)**. Fix into place using silicon or if preferred pin or screw into place.

02/2009 © ECLUSE, all rights reserved. The use, filing and total or partial reproduction, using any mechanical or electronic means, of texts, drawings and pictures contained in this publication is strictly prohibited, unless specifically approved in writing by ECLUSE.

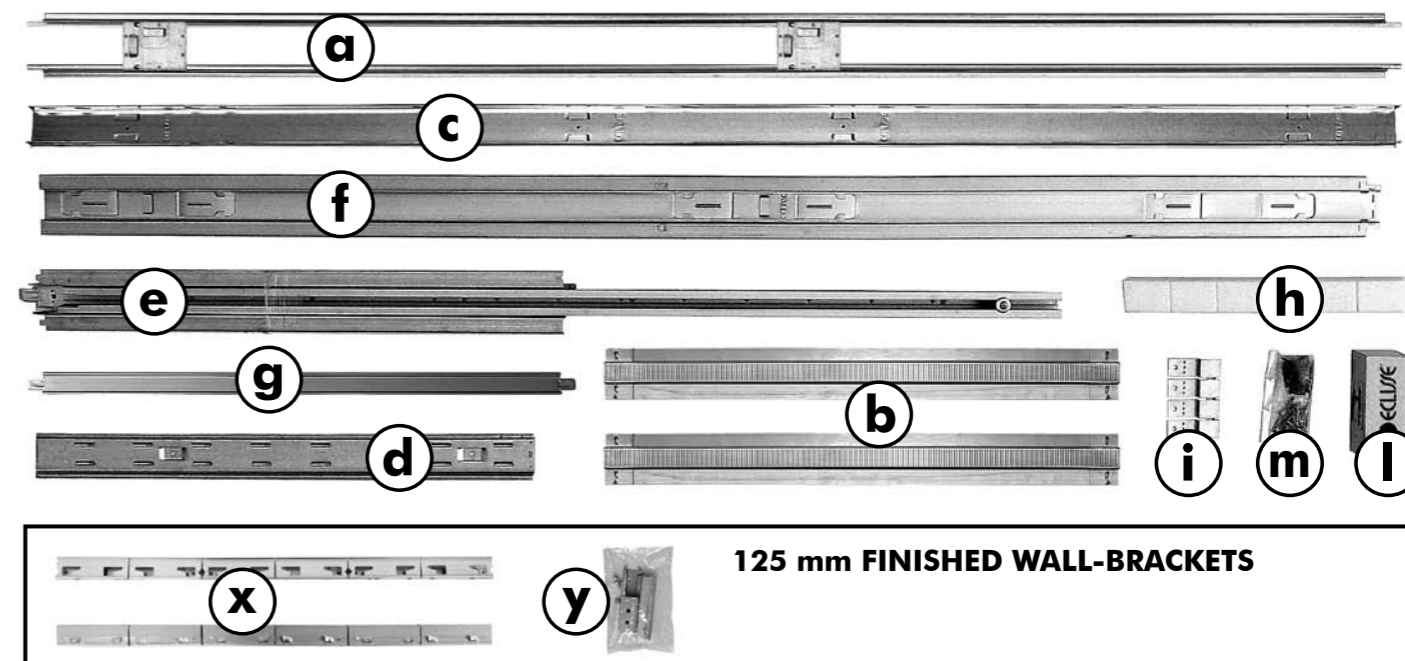


**- ASSEMBLY AND INSTALLATION -**

**Most Important!** This framework can be assembled to suit a 100 mm finished wall thickness (75 mm studwork) or a 125 mm finished wall thickness (100 mm studwork)...HOWEVER...the supplied jamb kit is specific to either 100 mm or 125 mm BUT NOT BOTH ! so you must establish if your jamb kit is for a 100 mm or 125 mm and assemble the frame accordingly (see sticker on jamb box or delivery document).

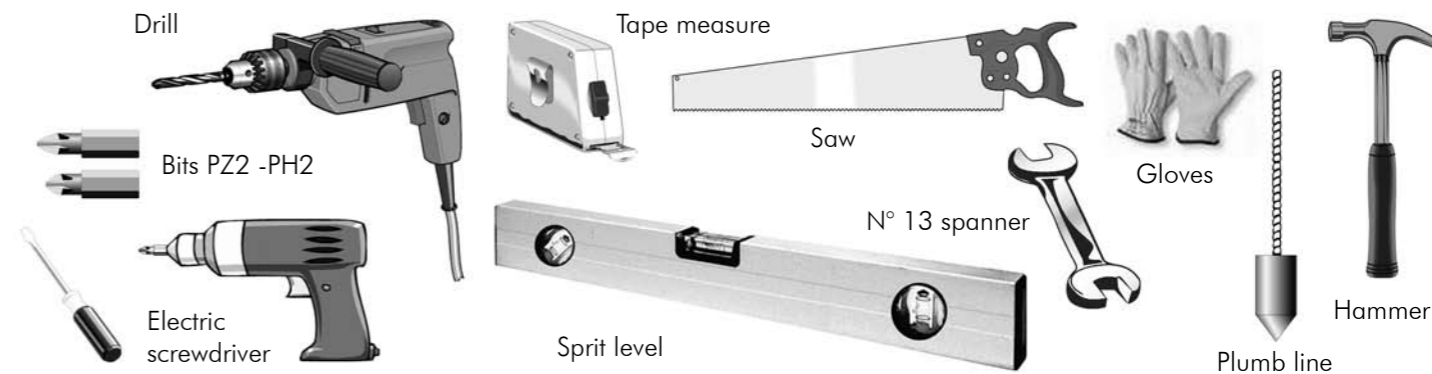
**For 100 mm finished walls start at page 2 and for 125 mm finished walls start at page 5**

**METAL FRAMEWORK-KIT CONTENTS**



- (a)** Central vertical
  - (b)** Pocket horizontals (12 pcs)
  - (c)** Rear vertical
  - (d)** Pocket header
  - (e)** Top beam with track
  - (f)** Metal door post
  - (g)** Bracers (2 pcs)
  - (h)** Polystyrene spacers
  - (i)** Pocket-to-floor brackets
  - (l)** Door mounting kit
  - (m)** Pack of screws: 4,2 x 9,5 (9 pcs) - 3,9 x 19 (55 pcs)
- 125 mm FINISHED WALL-BRACKETS**
- (x)** Rear vertical (12 pcs) **(c)** brackets 125 mm
  - (y)** Pocket header brackets 125 mm

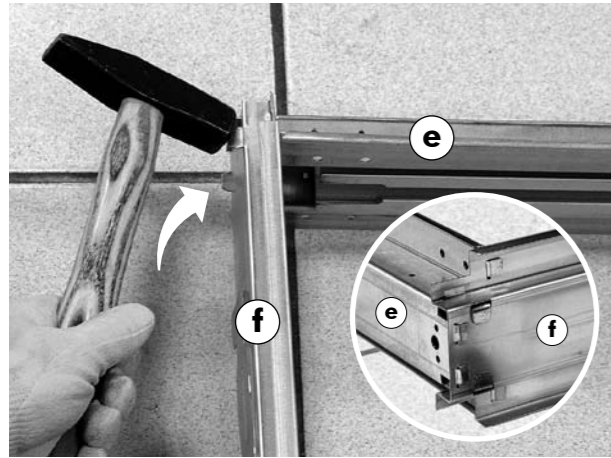
**Tools required**





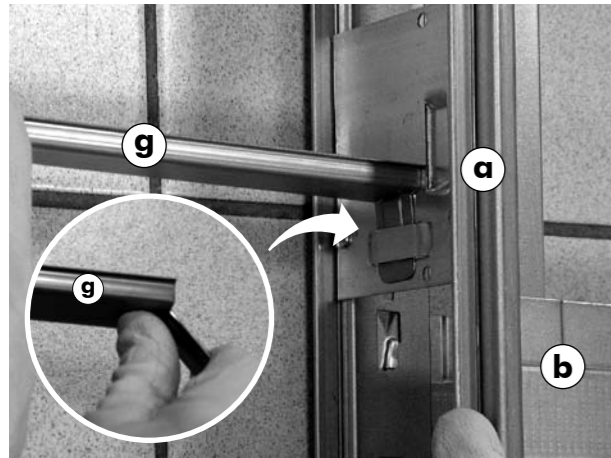
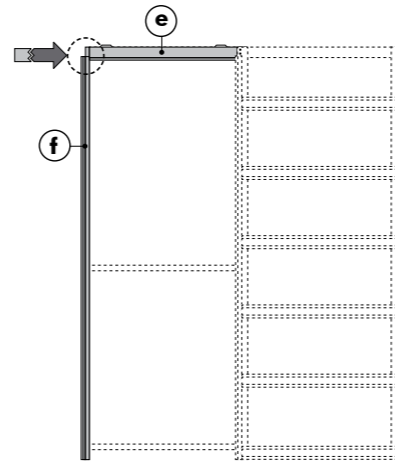


## 100 mm Finished wall thickness assembly instructions



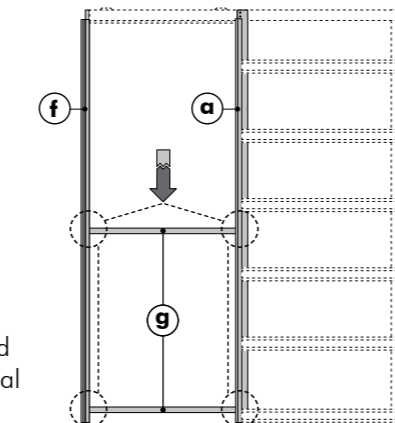
### STEP 5

Insert the metal tongues at the end of the top beam (e) into the slots at the top of the metal doorpost. Bend the metal tongues using the hammer.



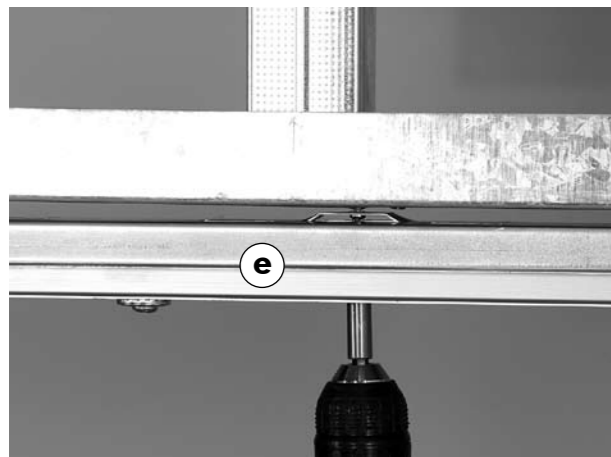
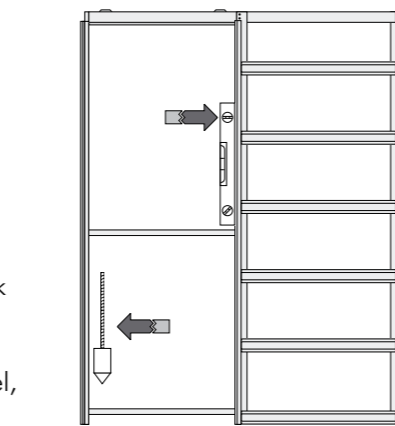
### STEP 6

Bend the ends of the bracers (g) backwards through 90° and locate in the positions on vertical (a) and doorpost (f).



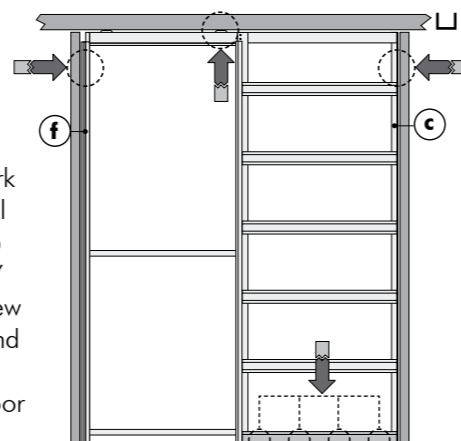
### STEP 7

Insert the assembled framework into your prepared studwork (metal or wood) making sure it is installed at finished floor level, plumb and perfectly horizontal.

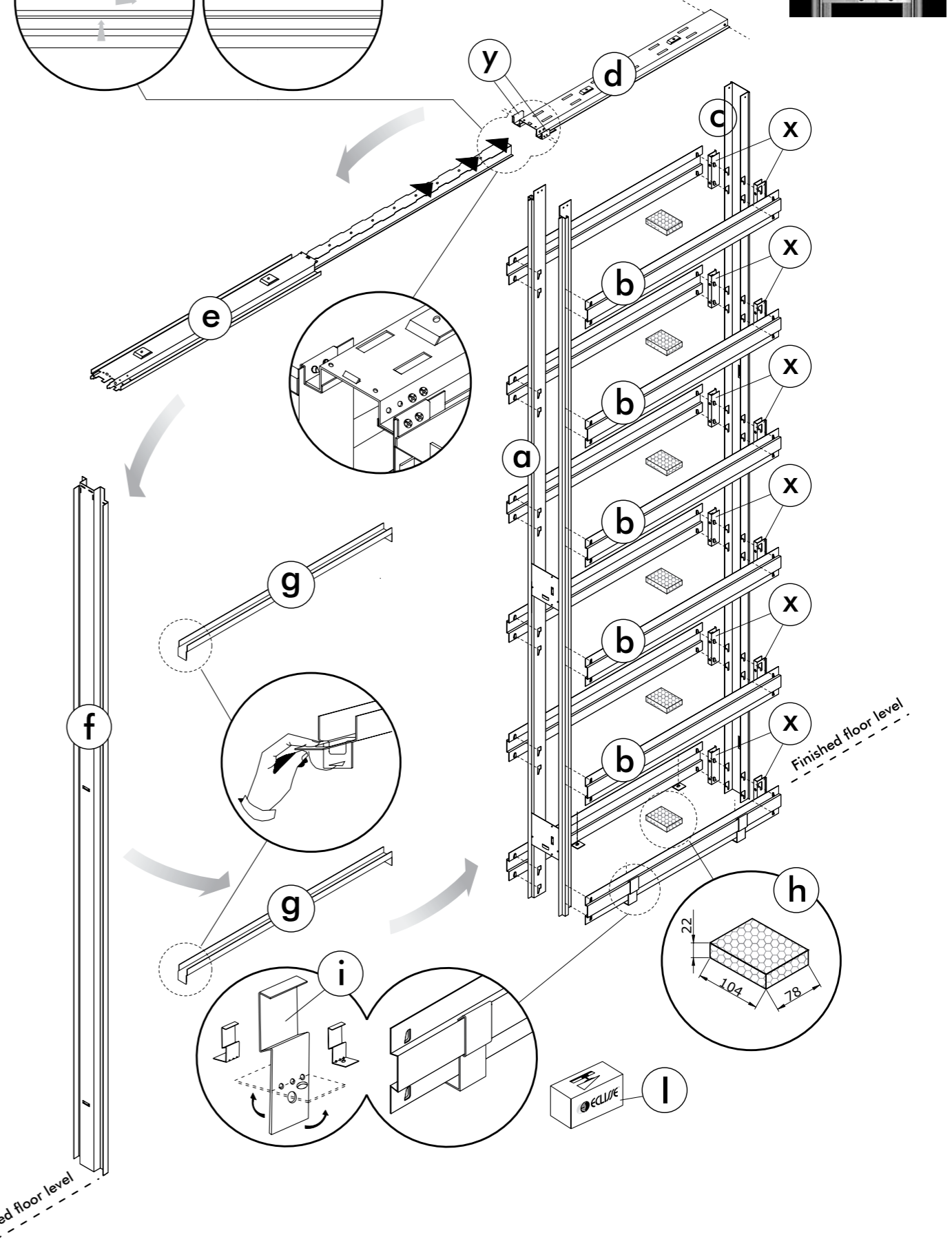
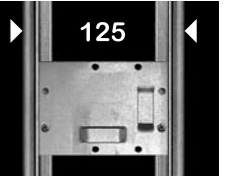
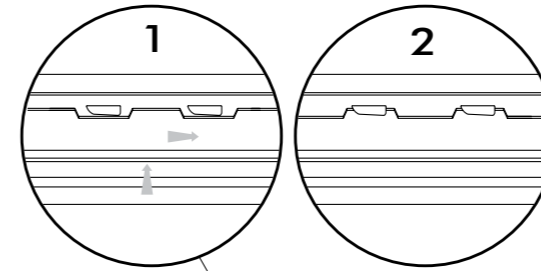


### STEP 8

Attach the frame to the studwork by screwing through the vertical (c), metal doorpost (f) and top beam with track (e) (use ONLY the larger holes so that the screw head goes through the track and locates the top beam). Screw the internal pocket-to-floor brackets to the floor.



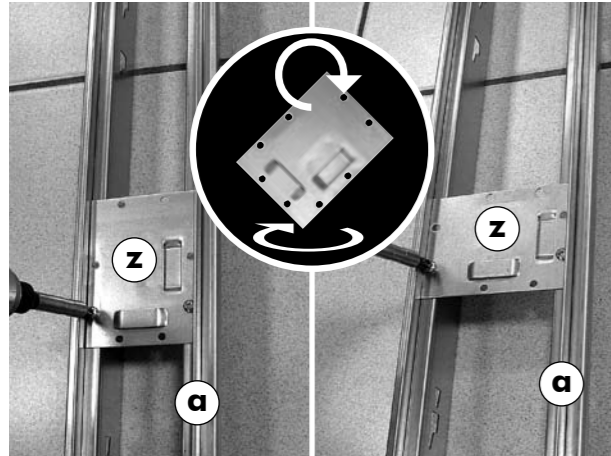
## 125 mm Finished wall thickness assembly instructions



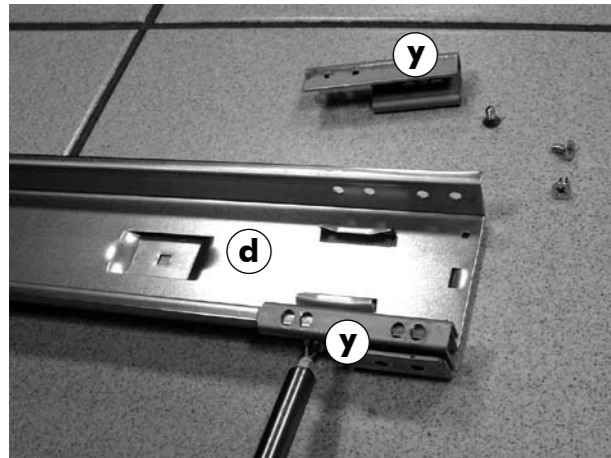
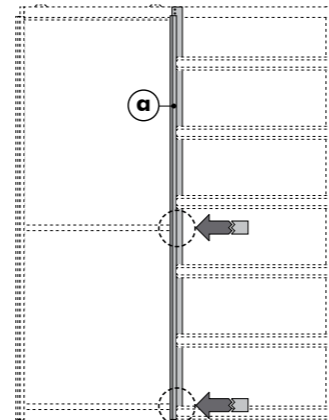
FRAME MUST BE INSTALLED AT FINISHED FLOOR LEVEL, USE PACKING IF NECESSARY



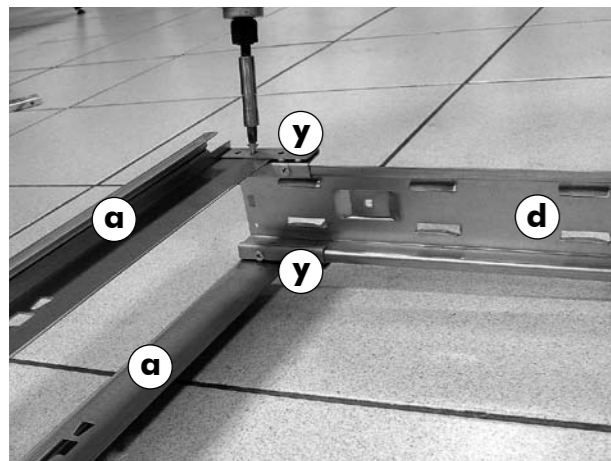
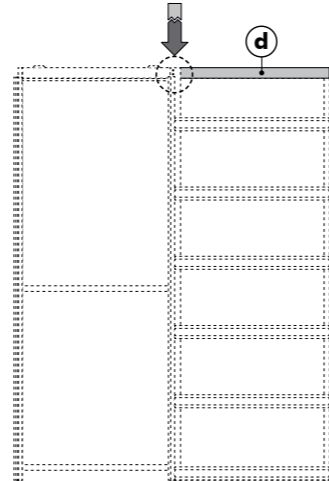
## 125 mm Finished wall thickness assembly instructions



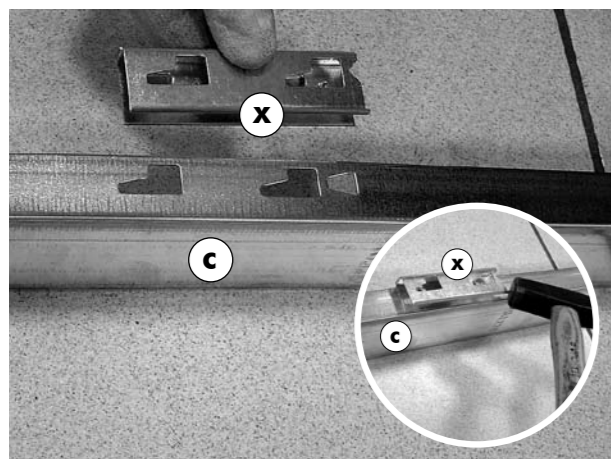
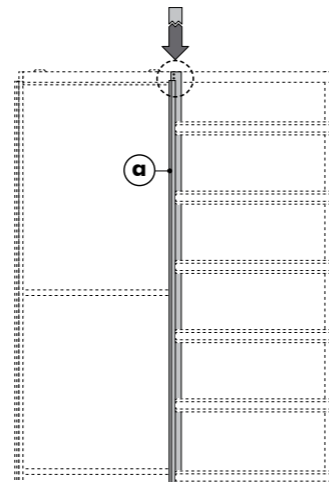
**STEP 1** →  
 Unscrew and turn through 90° the brackets **(z)** holding the central verticals **(a)** together. Screw into place. This widens the verticals for 125 mm.



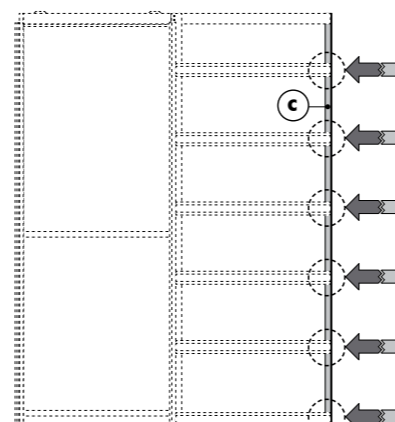
**STEP 2** →  
 Attach the pocket header brackets 125 **(y)** to the pocket header **(d)** using 4.2 x 9.5 mm screws.



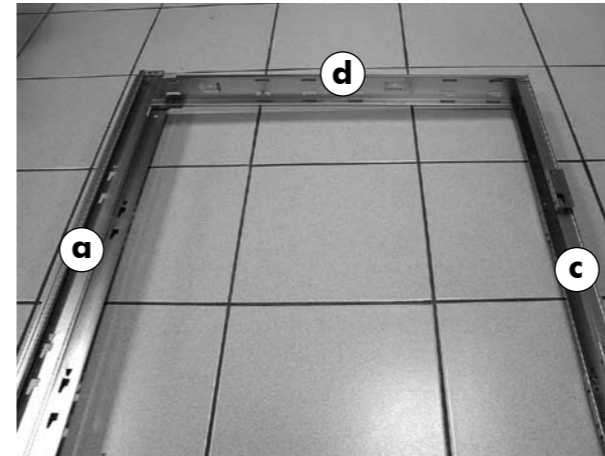
**STEP 3** →  
 Insert the central verticals **(a)** into the pocket header brackets **(y)** on the pocket header **(d)** using 4.2 x 9.5 mm screws.



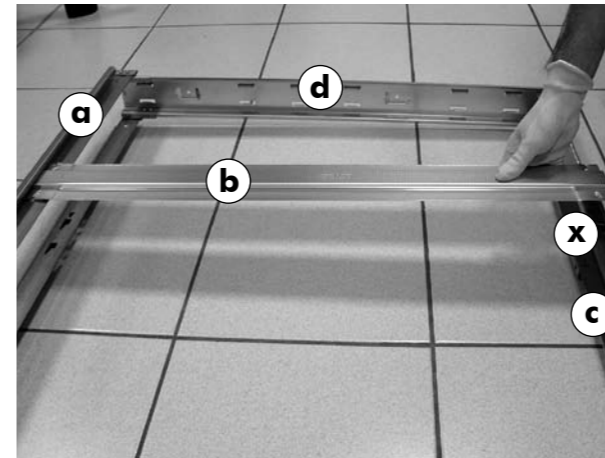
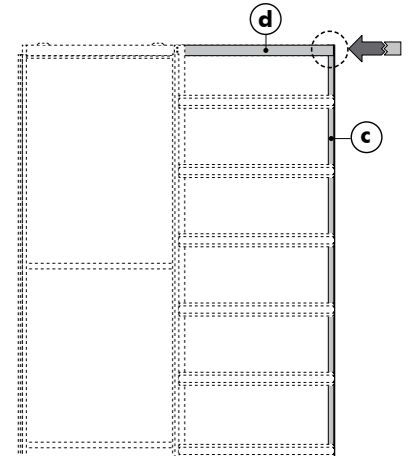
**STEP 4** →  
 Split the rear vertical brackets **(x)** and fix into their pre-cut positions on the rear vertical **(c)** using a hammer to locate.



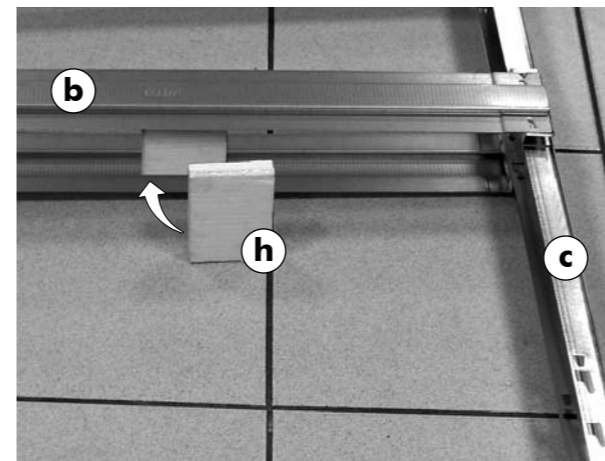
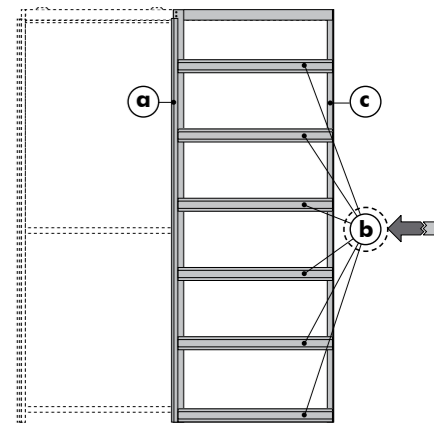
## 125 mm Finished wall thickness assembly instructions



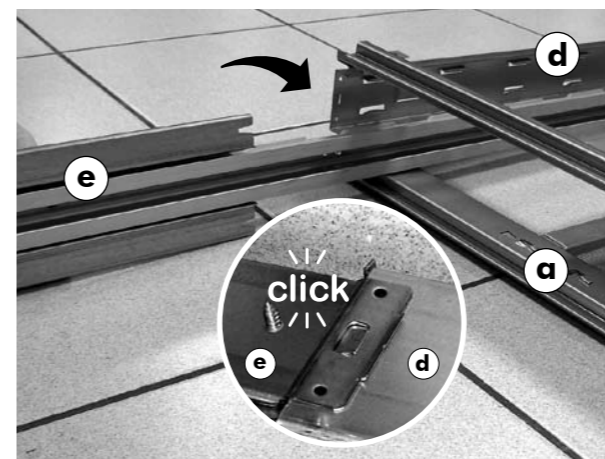
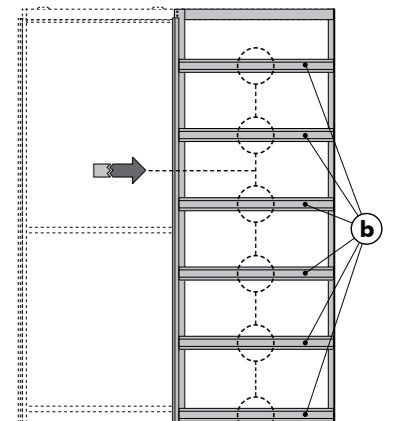
**STEP 5** →  
 Assemble the pocket header **(d)** to the rear vertical **(c)** using 4.2 x 9.5 mm screws.



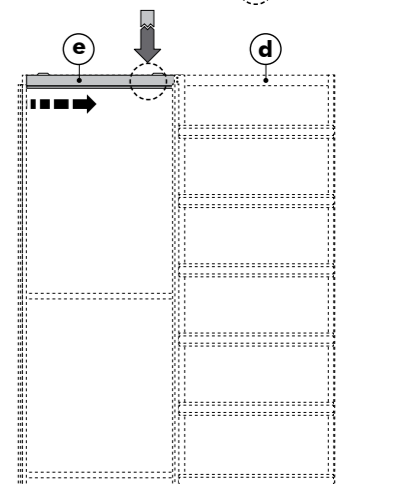
**STEP 6** →  
 Assemble both sides of the pocket using the horizontals **(b)** locking them at the pre-determined positions. Make sure they are firmly located in place **(a)** and **(x)**.



**STEP 7** →  
 Insert the polystyrene spacers **(h)** in between the horizontals **(b)**.

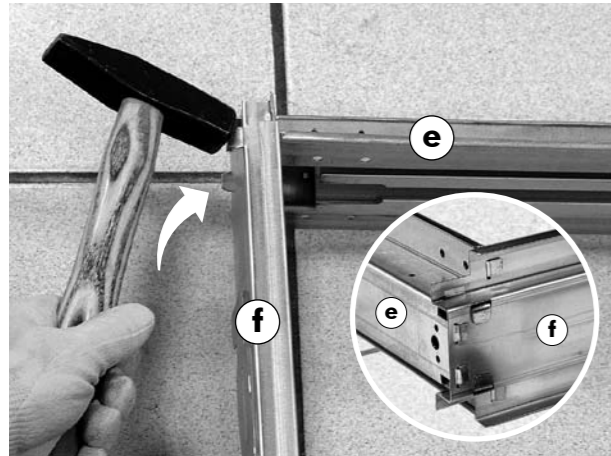


**STEP 8** →  
 Insert the top beam with track **(e)** into the pocket header **(d)** using the bayonet system. When it "clicks" into place, secure with 4.2 x 9.5 mm screws.



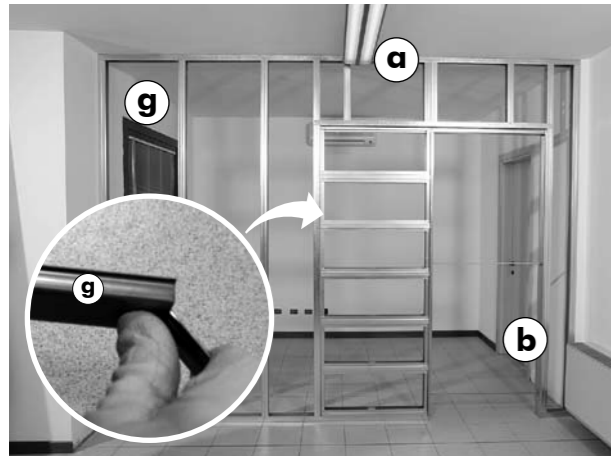
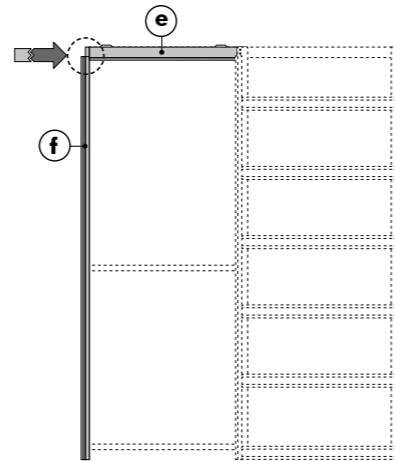


## 125 mm Finished wall thickness assembly instructions



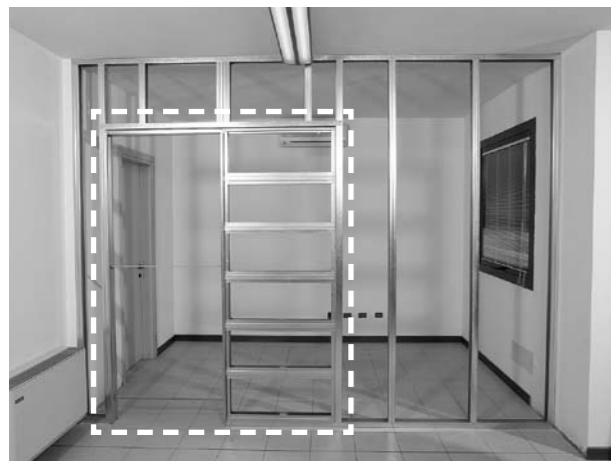
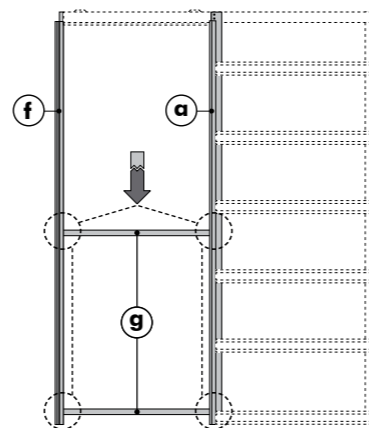
### STEP 9

Insert the metal tongues at the end of the top beam (e) into the slots at the top of the metal doorpost. Bend the metal tongues using the hammer.



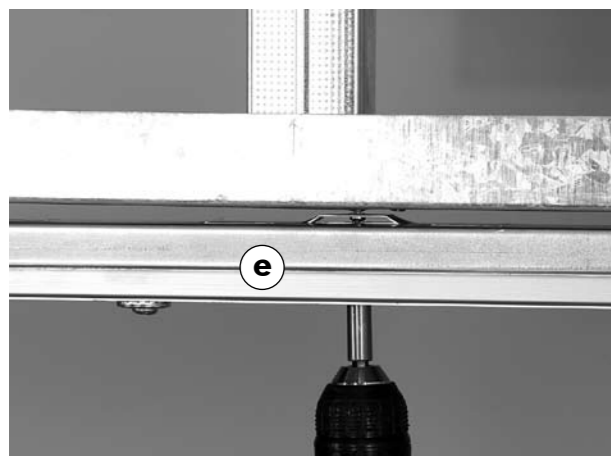
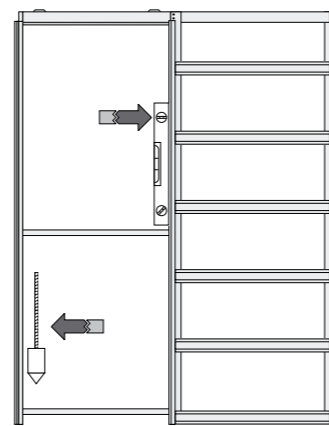
### STEP 10

Bend the ends of the bracers (g) backwards through 90° and locate in the positions on vertical (a) and doorpost (f).



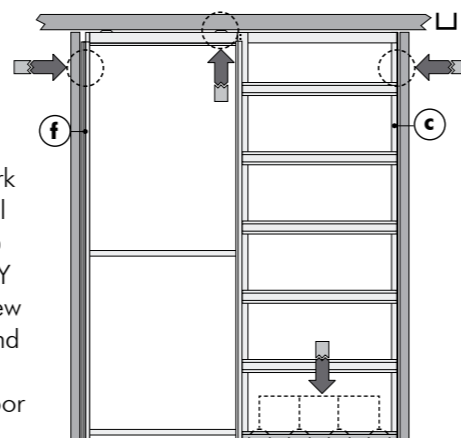
### STEP 11

Insert the assembled framework into your prepared studwork (metal or wood) making sure it is installed at finished floor level, plumb and perfectly horizontal.



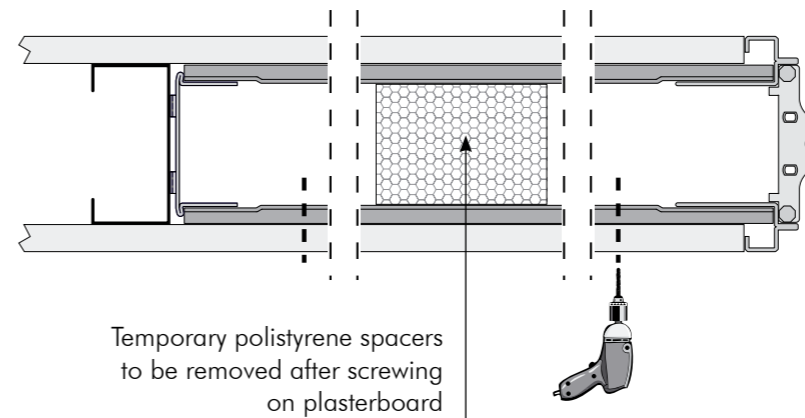
### STEP 12

Attach the frame to the studwork by screwing through the vertical (c), metal doorpost (f) and top beam with track (e) (use ONLY the larger holes so that the screw head goes through the track and locates the top beam). Screw the internal pocket-to-floor brackets to the floor.



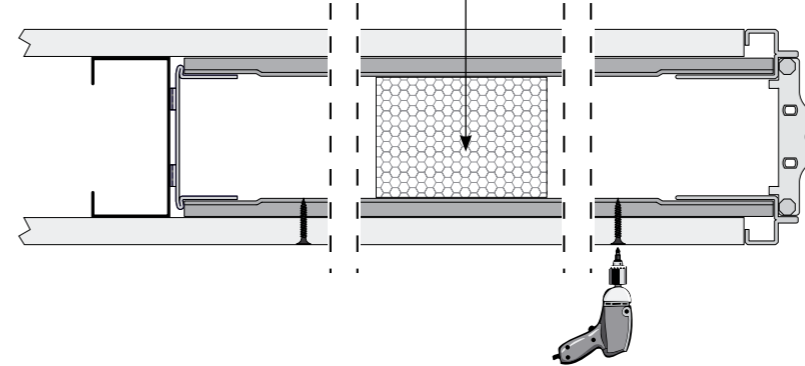
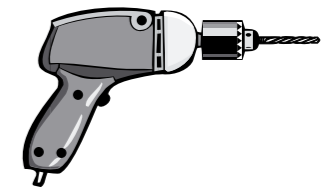
## FIXING THE PLASTERBOARD TO THE FRAME

The plasterboard can be attached at any time after the frame is installed



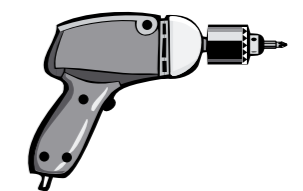
### PHASE 1

The frame is made to accept 12,5 mm plasterboard on each side. Using a 2 mm drill, drill appropriate holes through the plasterboard and Pocket horizontals (b) (2 to each side as shown)



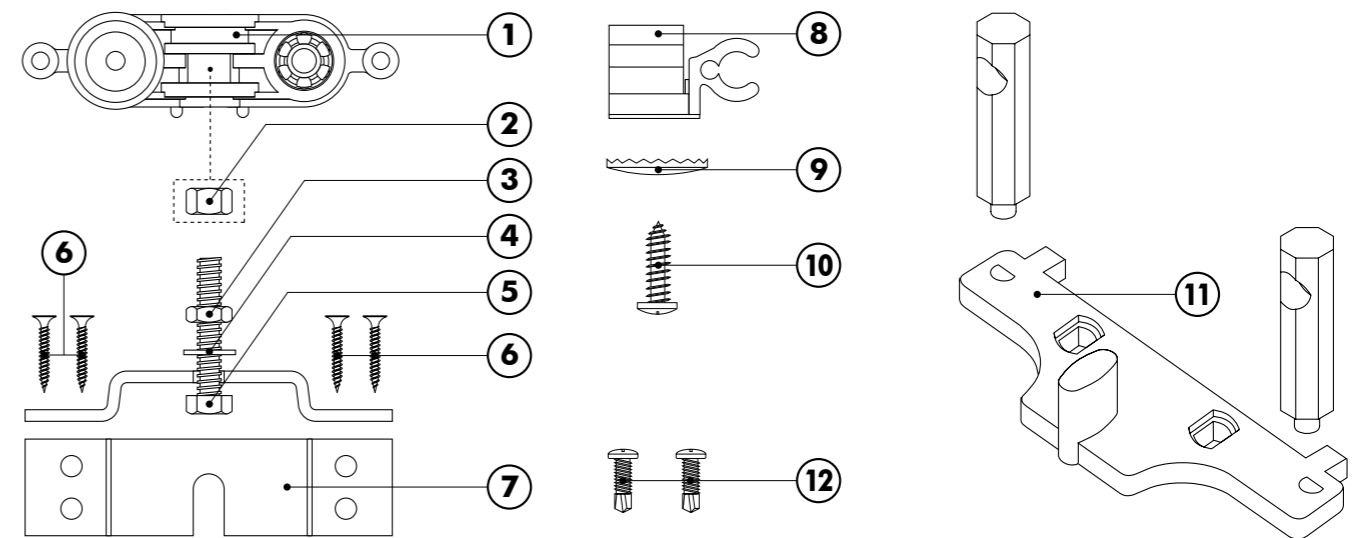
### PHASE 2

Using ONLY the black 3,5 x 19 mm screws provided, attached the plasterboard to the frame. If you use any other screws you will be responsible for any scratches on the door!



## INSTALLING THE DOOR

### DOOR MOUNTING KIT 1 - Contents



1 Runners (2 pcs)

2 Runner nut (2 pcs) M8

3 Lock nut (2 pcs) M8

4 Washer (2 pcs)

5 Bolt (2 pcs)

6 Screws (8 pcs)

7 Door bracket (2 pcs)

8 Adjustable stop (1 pc)

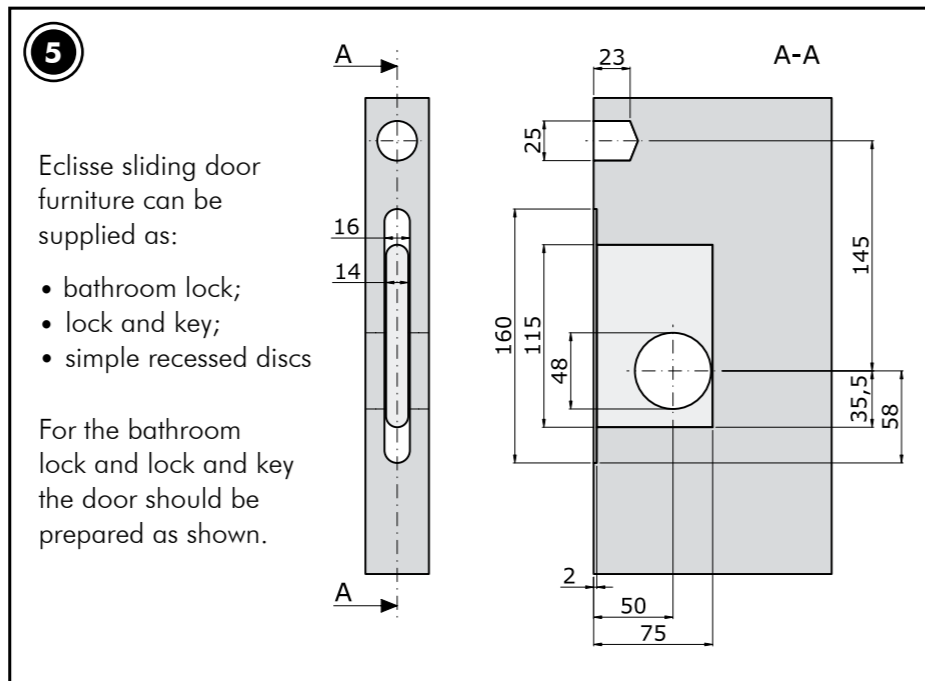
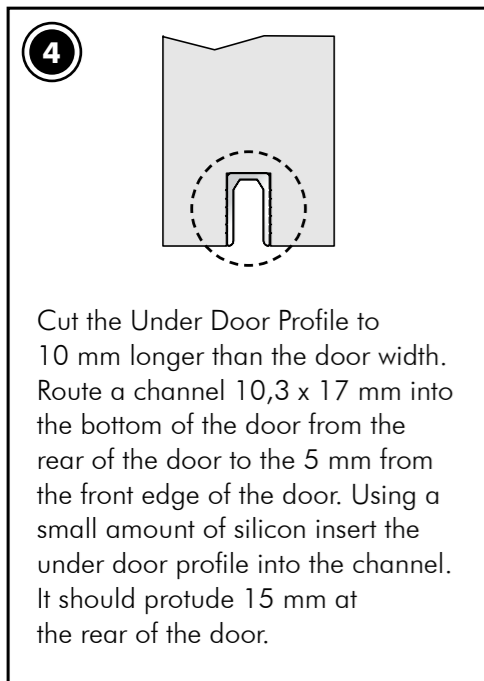
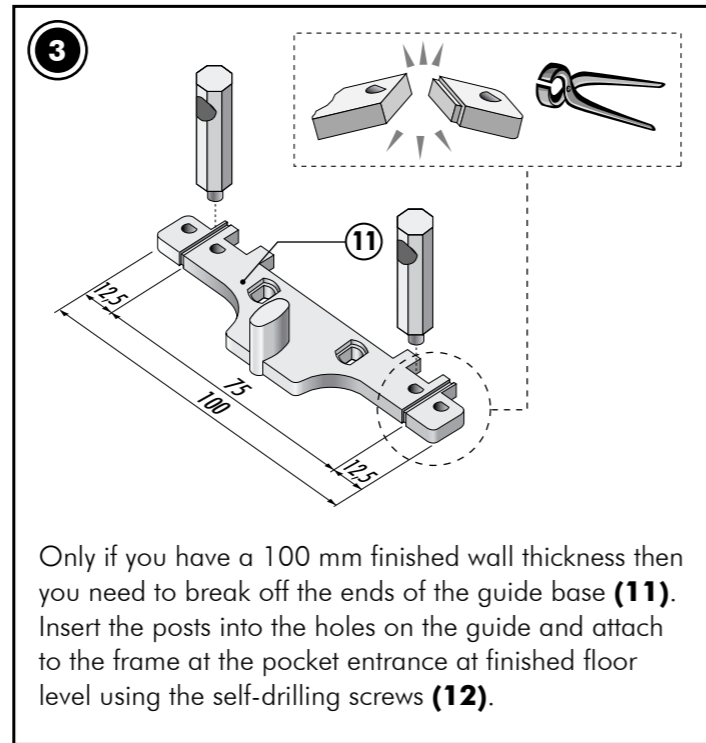
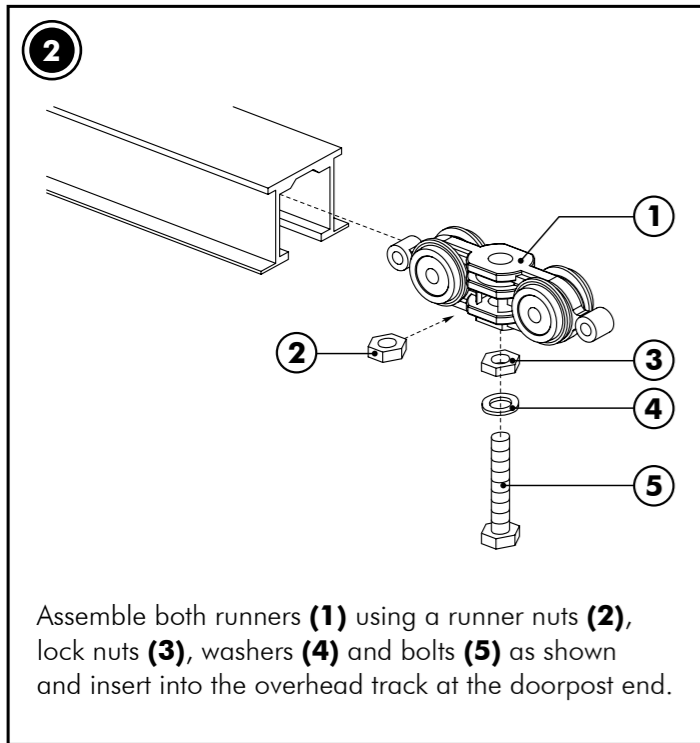
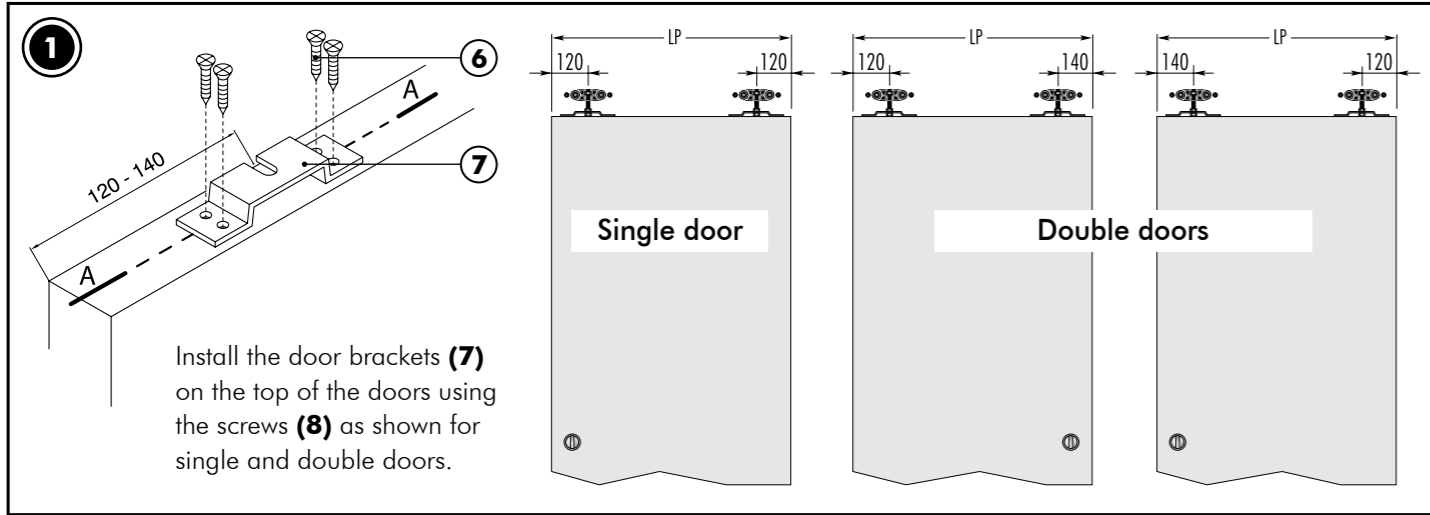
9 Lock washer (1 pc)

10 Screw 6 x 30 (1 pc)

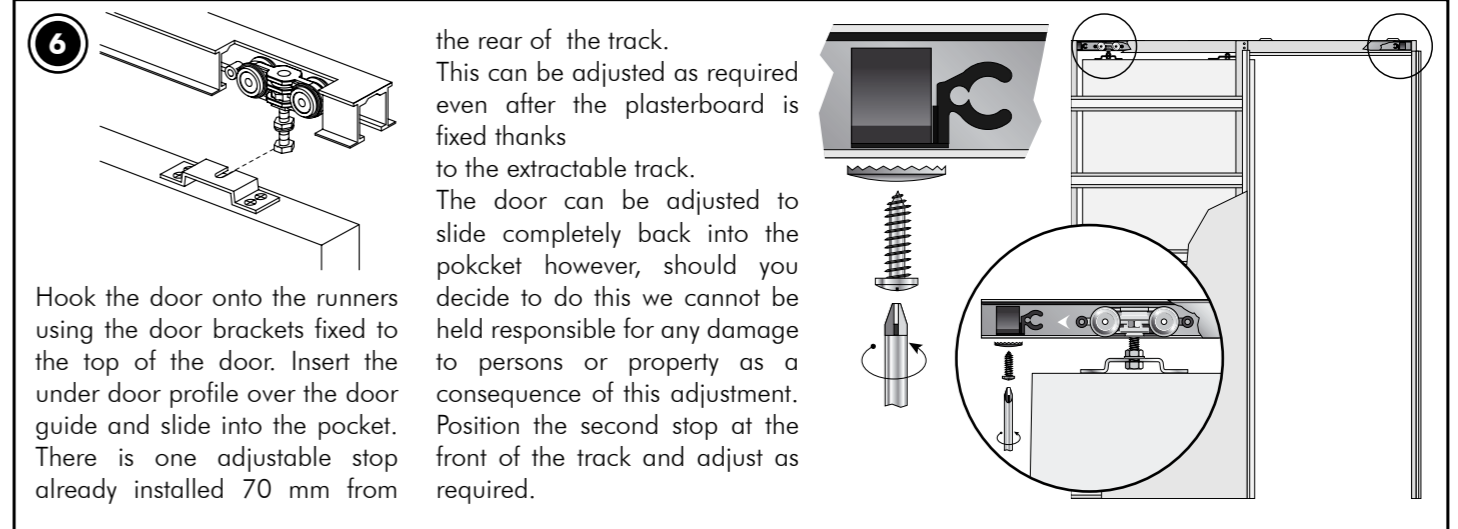
11 Guide with posts (1 pc)

12 Self-drilling screws (2 pcs)

## INSTALLING THE DOOR - PHASE:



## INSTALLING THE DOOR - PHASE:



## INSTALLING THE JAMBS AND DOORPOST

### KIT CONTENTS

