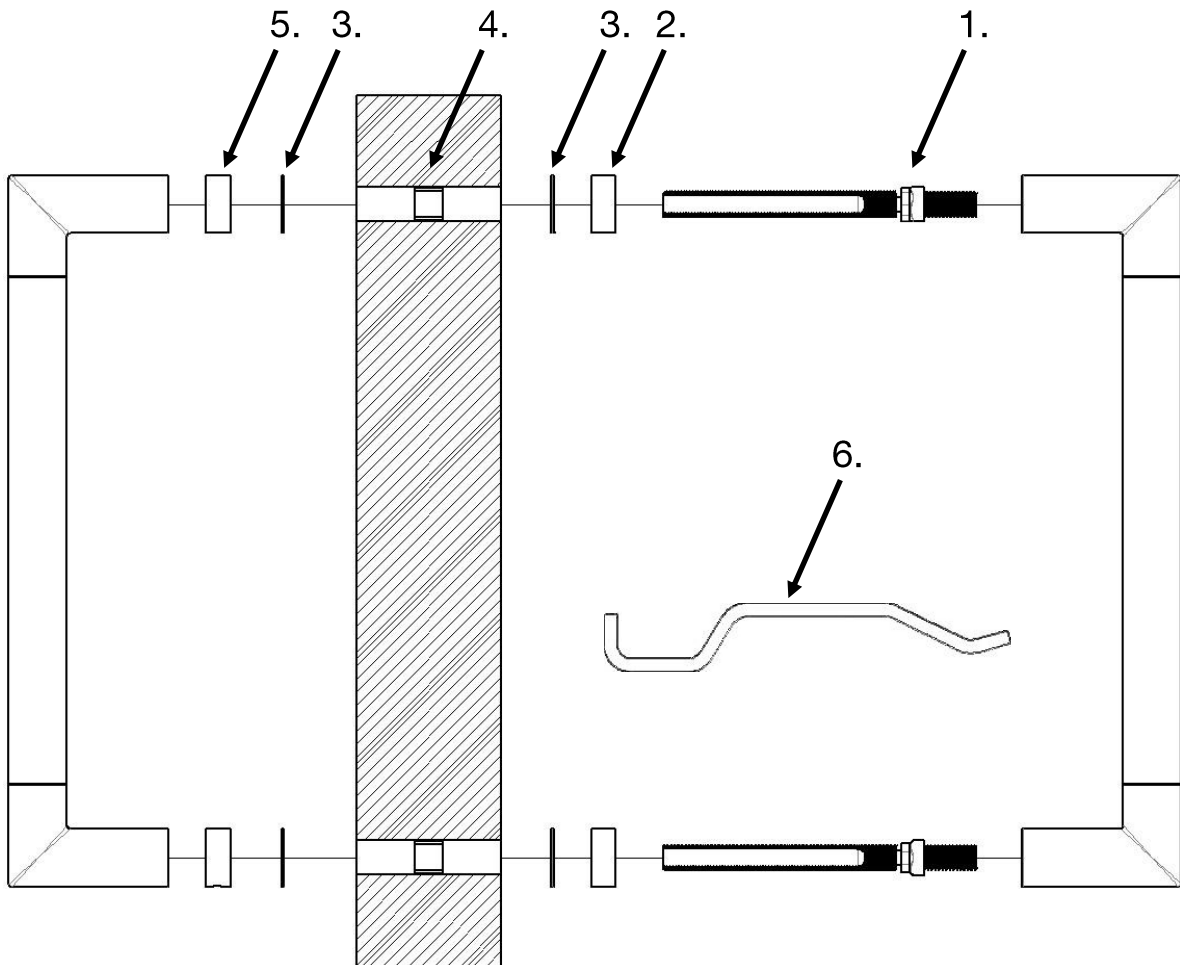
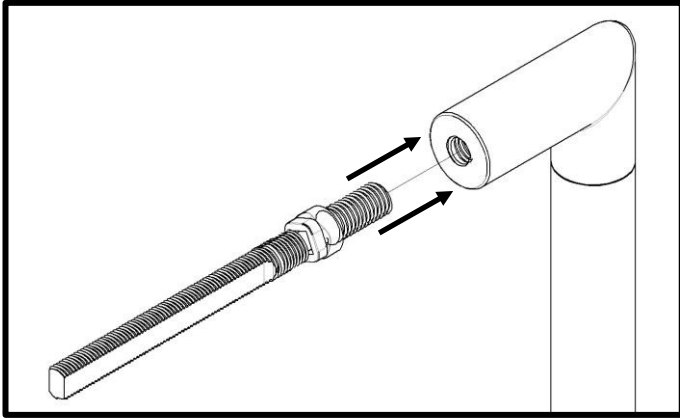


## Back To Back Fixing Kit Fitting Instructions



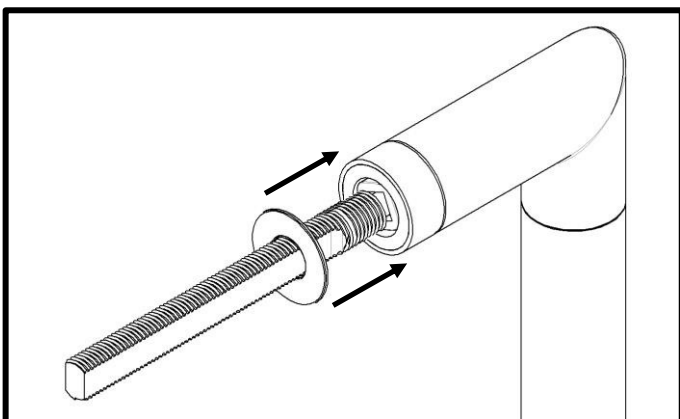
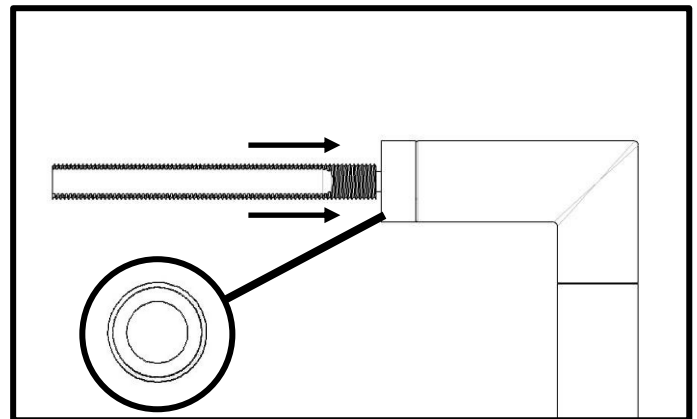
**When using this Back to Back Fixing pack you do not require any fixings supplied with the Pull Handle**

- Suitable for timber and glass doors from 12 to 55mm.
- Converts 2 bolt fix pull handles into pairs.
- More secure fixings.
- More flexibility with your stock.

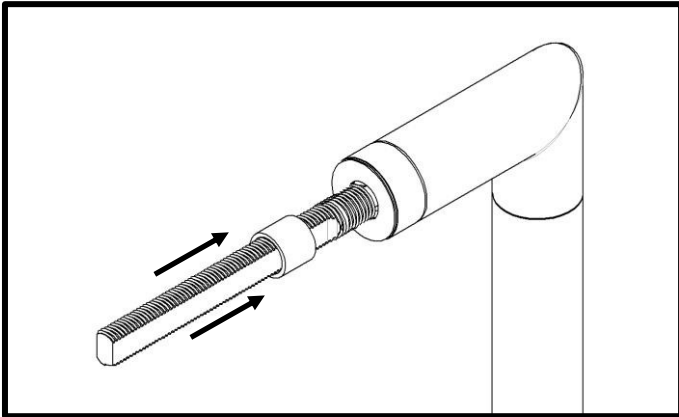


1. Securely fasten the short screw end of the two fixing bolts (1) onto both ends of the Tubular Handle fixing points.

2. Slide the solid bushes (with the round hole) (2) over the fixing bolts. Bushes should be the same diameter as the tubular handle or tubular legs of the pull handle.

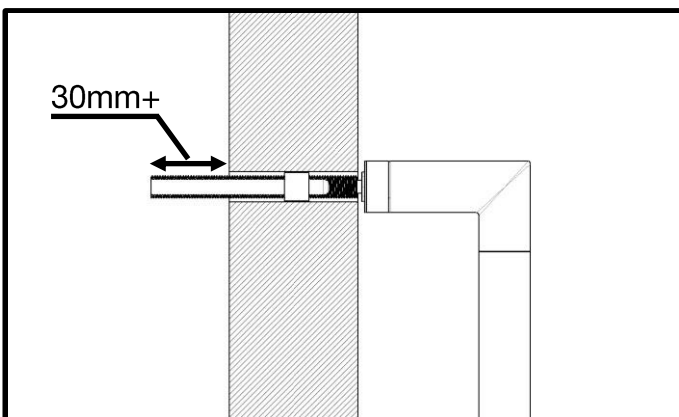
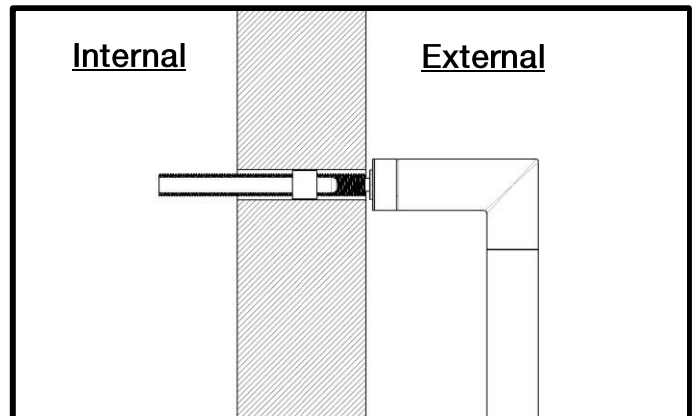


3. Slide one plastic washer (3) over each of the fixing bolts.  
**Essential when fitting to glass doors and optional when fitting to timber doors.**

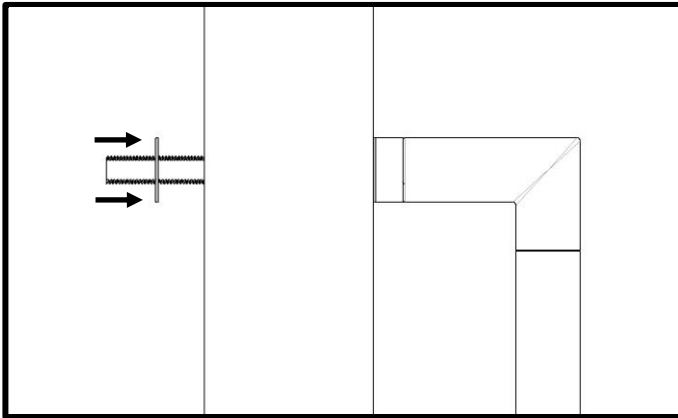


4. Slide the plastic sleeve (4) over both fixing bolts.  
**Essential when fitting to glass doors** and optional when fitting to timber doors.

5. Insert the assembly through the existing/prepared holes in the door, (as shown in the Pull Handle Instructions).  
 The fittings are not able to be removed from this side therefore it is recommended to be fitted to the external side of the door.

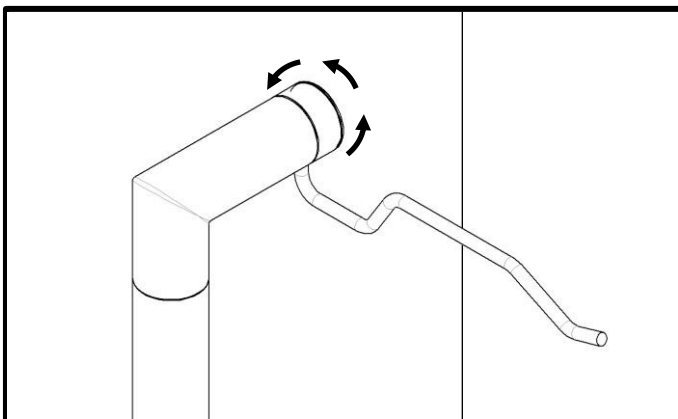
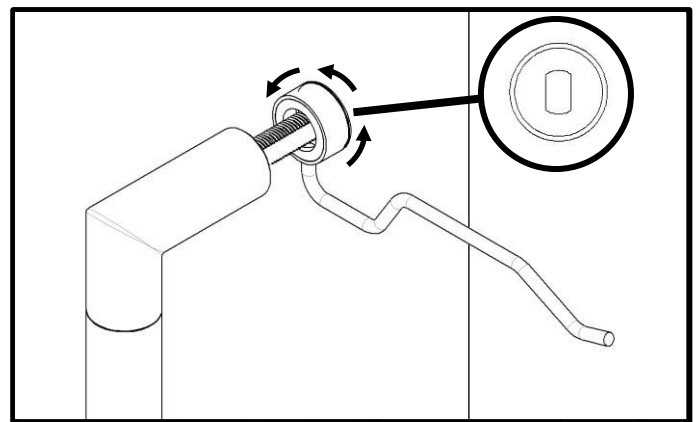


6. If the projection of the bolt from the face of the door is more than 30mm, it may be necessary to shorten the bolts.



7. Slide one plastic washer (3) over each of the fixing bolts.  
**Essential when fitting to glass doors and optional when fitting to timber doors.**

8. Slide the remaining bushes (5) over both the projecting bolts.  
Insert the top projecting screw into the tubular handle and using the tool (6) insert into the small hole in the bush (5), turn until the bolt is engaged into the pull handle.  
Repeat for bottom fixing.



9. Continue to secure the pull handle to the door face by tightening the bush (5) progressively top and bottom until the pull handles are securely fastened to the door.