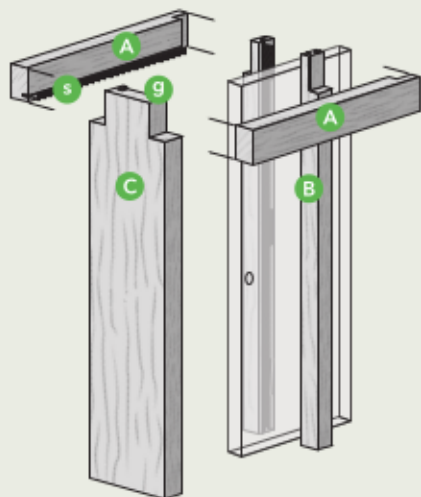


JAMB KIT

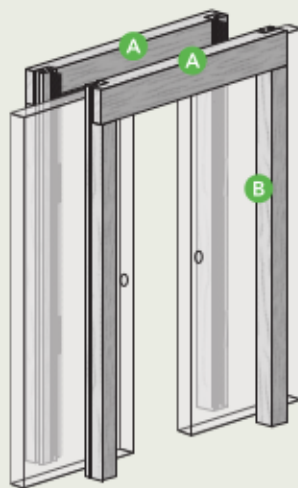
WHAT IS A JAMB KIT?

The jamb kit which is supplied (with the CLASSIC system only) comes in a separate box and is a timber lining kit that is attached to the framework which covers the edges of the door when closed so you can't see the top of the door nor into the pocket. Final architrave is not supplied which is the decorative frame you see around traditional doors. The jamb kits are precisely manufactured from finger jointed wood for strength and resistance to warping and are paint ready

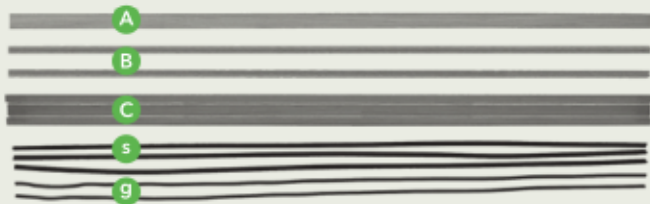
JAMBS FOR SINGLE DOORS



JAMBS FOR DOUBLE DOORS



LIST OF PARTS



JAMBS AND DOOR POST FOR SINGLE

- A: Top Horizontal jamb
(1 pc cut into 2 for single)
- B: Vertical pocket jambs (2 pcs)
- C: Wooden door post

- s: Brushes (6pcs, 3 for 35mm door 3 for 44mm door)
- g: Rubber bumpers
(1pc splits into 2)

PLEASE NOTE THE DOOR POST "C" IS NOT SUPPLIED WITH THE DOUBLE SYSTEM