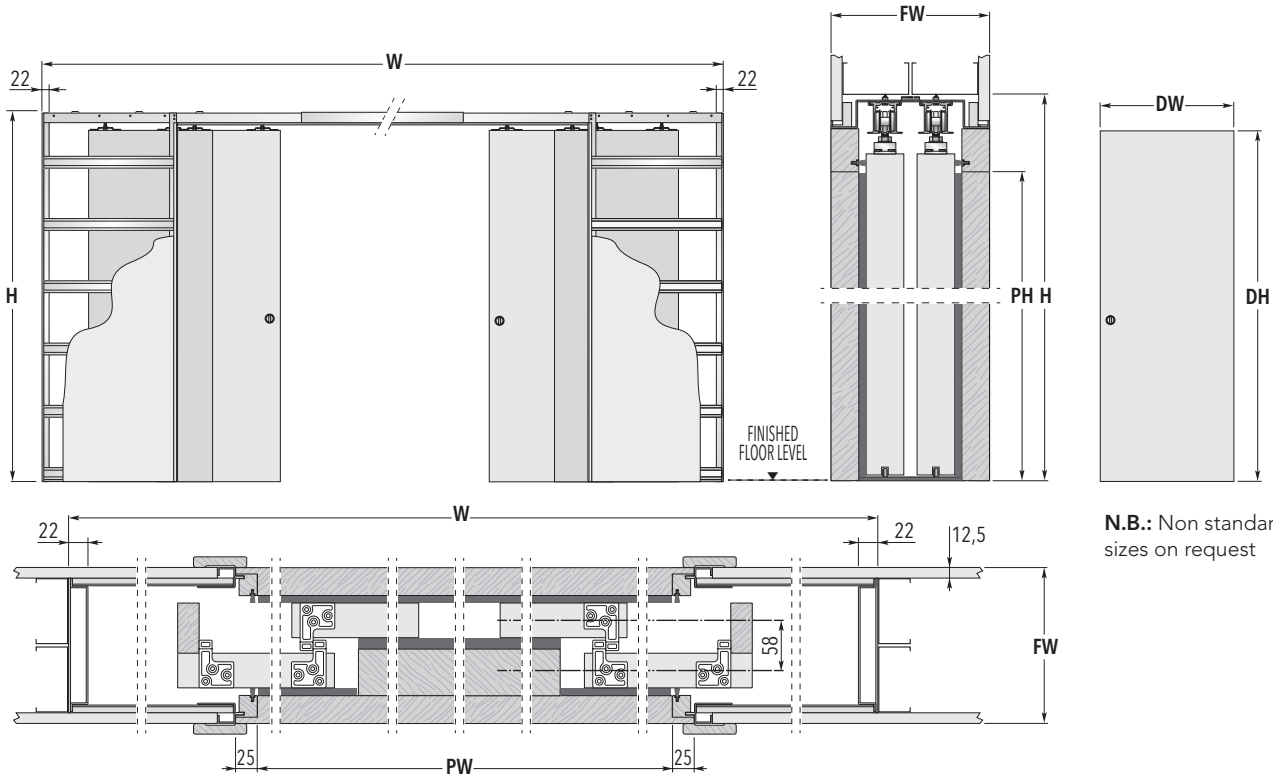


TELESCOPIC DOUBLE

FRAME FOR TWO SETS OF PARALLEL DOORS



N.B.: Non standard sizes on request

SYSTEM FOR TWO SETS OF PARALLEL DOORS			DOOR PANEL UK	
MAX. PASSAGE SIZE PW x PH	OVERALL DIMENSION W x H	FINISHED WALL FW	DW	DH
2300 x 2030	3644 x 2115	180	626	2040
2700 x 2030	4244 x 2115	180	726	2040
3100 x 2030	4844 x 2115	180	826	2040
3500 x 2030	5444 x 2115	180	926	2040
3900 x 2030	6044 x 2115	180	1026	2040
2236 x 1971	3580 x 2056	180	2ft. 0in. x 6ft. 6in. (610 x 1981 mm)	
2540 x 1971	4084 x 2056	180	2ft. 3in. x 6ft. 6in. (686 x 1981 mm)	
2844 x 1971	4588 x 2056	180	2ft. 6in. x 6ft. 6in. (762 x 1981 mm)	
3148 x 1971	4892 x 2056	180	2ft. 9in. x 6ft. 6in. (838 x 1981 mm)	
3452 x 1971	5396 x 2056	180	3ft. 0in. x 6ft. 6in. (914 x 1981 mm)	

Dimensions are given in mm



NOTES

- ▶ Available in Non Standard sizes up to 4700 x 2600 passage size
- ▶ Suitable for 35 or 44 mm thick doors.
- ▶ Max door panel weight 100 kg.
- ▶ When fully open the leading door panel projects 9 cm out of the pocket
- ▶ Install at finished floor level
- ▶ Includes a full timber lining kit for a professional finish.
- ▶ Door panels, plasterboard and final architraves not supplied.