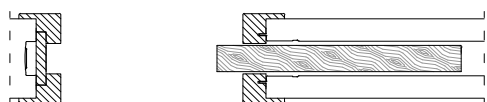
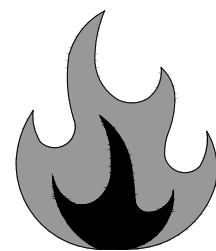


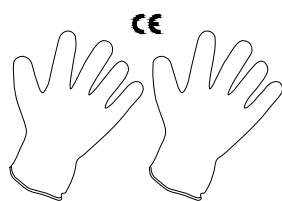
# SELF CLOSING SYSTEM FOR SINGLE AND DOUBLE POCKET DOORS SYSTEMS



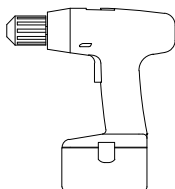
Single Door

Double Doors Pag: 5

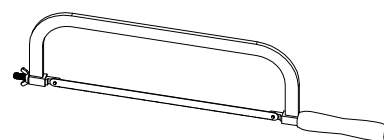
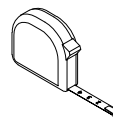
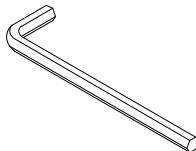
## TOOLS REQUIRED



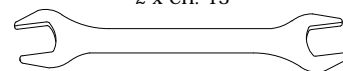
PH2 PZ2



CH. 2,5

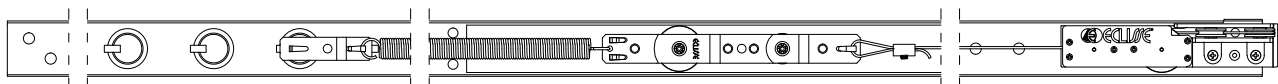


2 x CH. 13

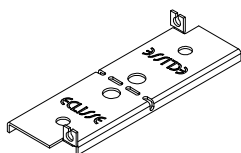


## COMPONENTS

a) 1 x



b) 1 x



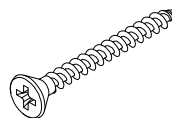
d) 1 x



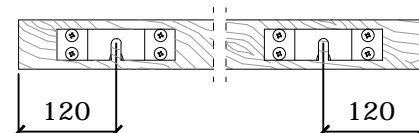
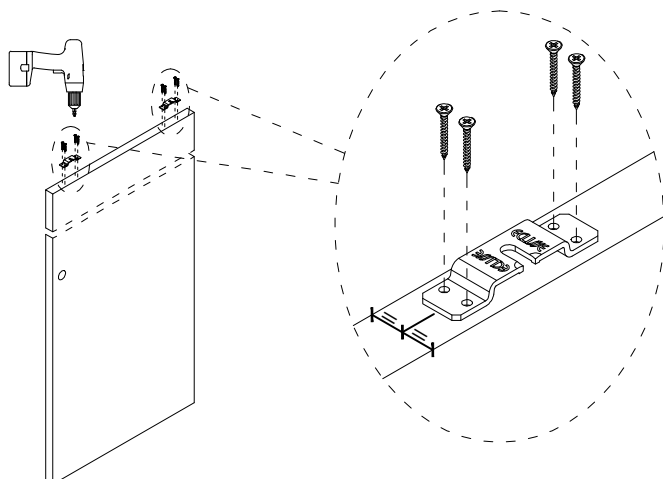
c) 1 x



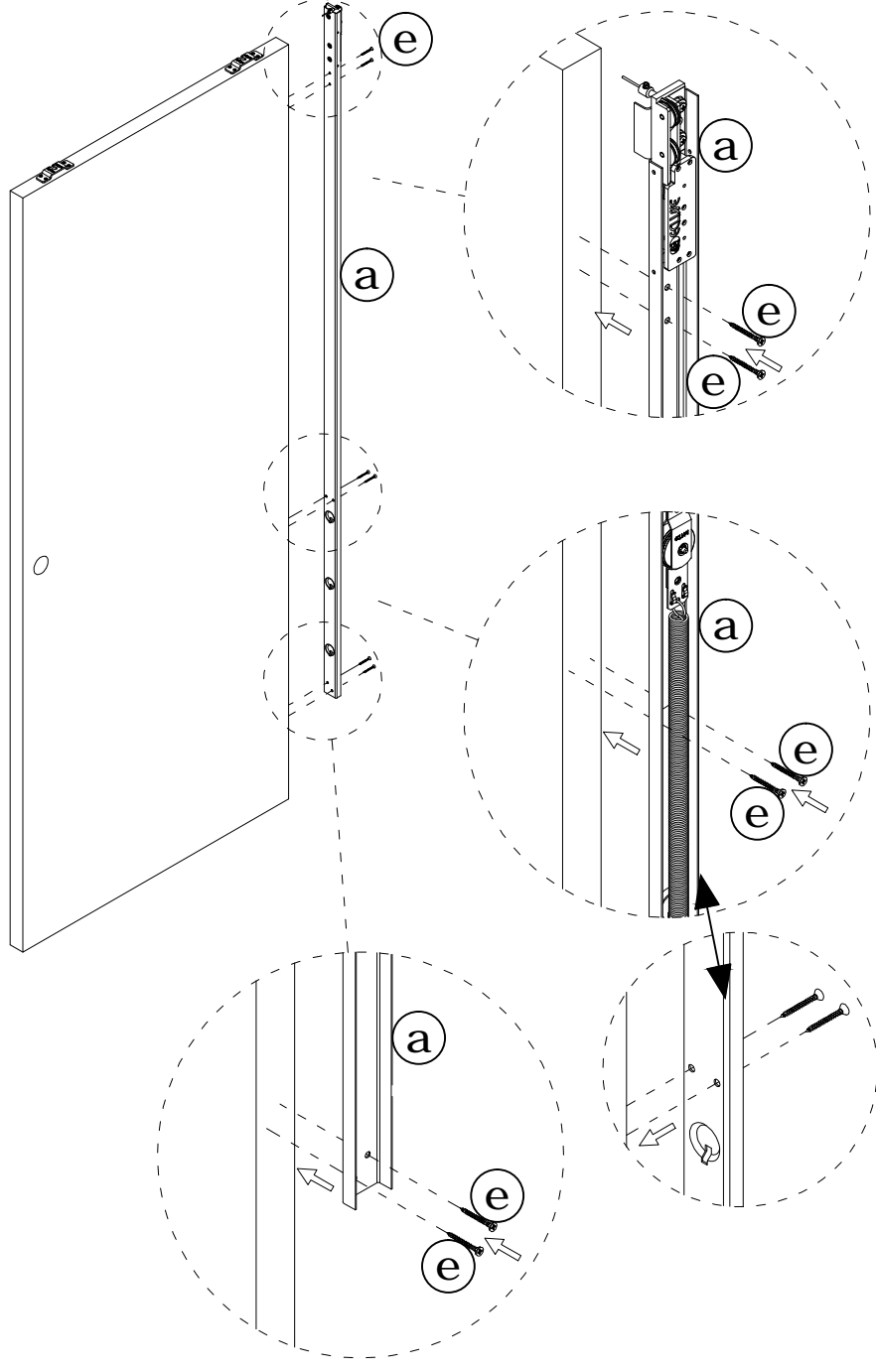
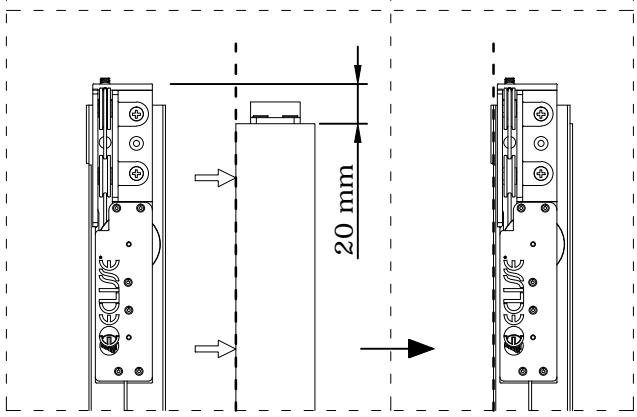
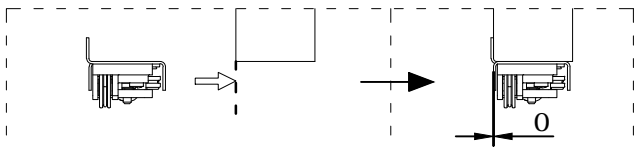
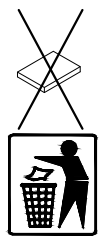
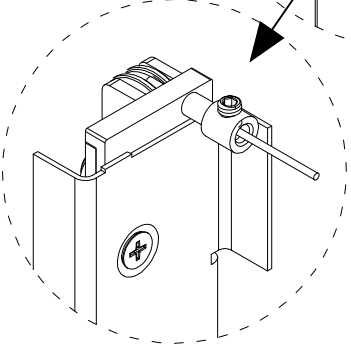
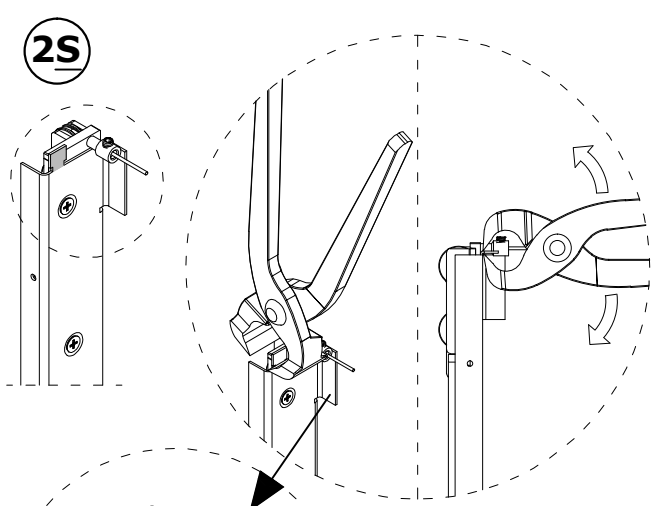
e) 6 x



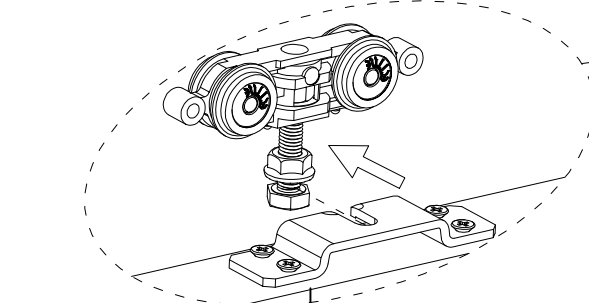
1S



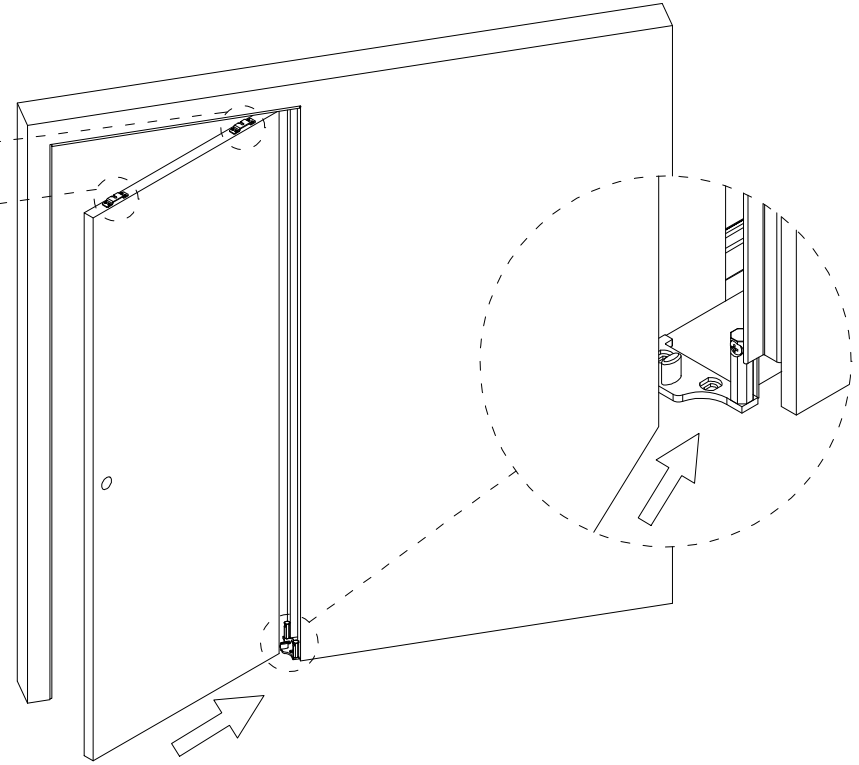
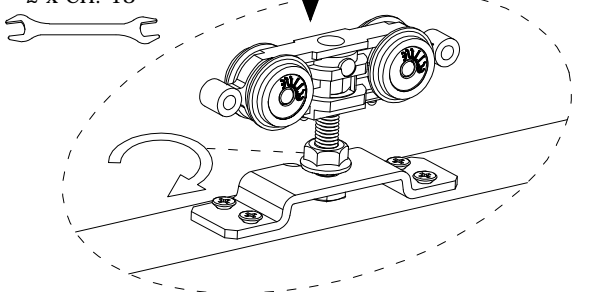
2S



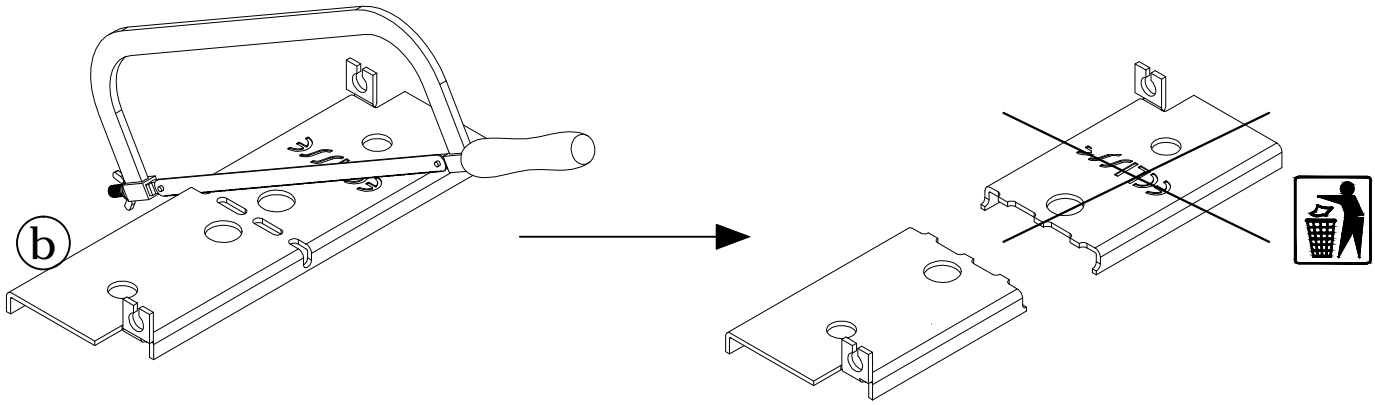
3S



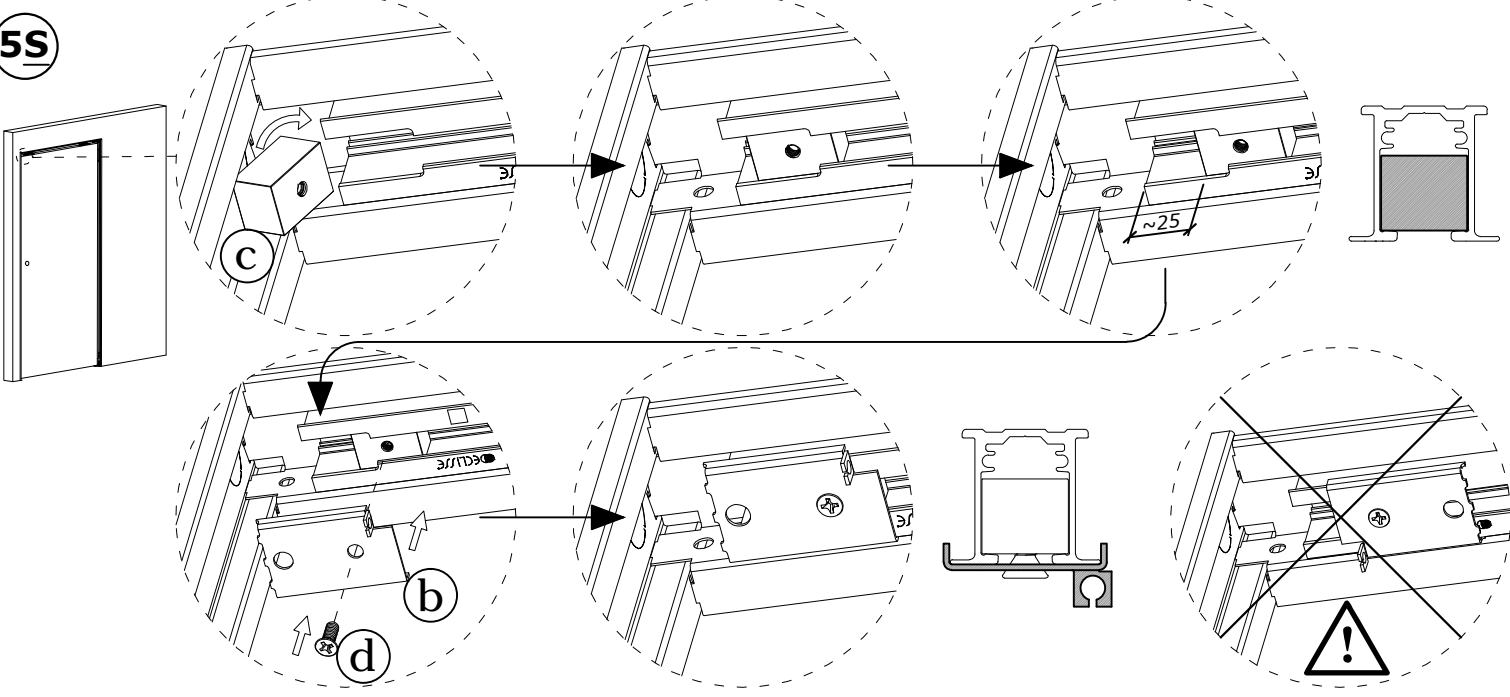
2 x CH. 13



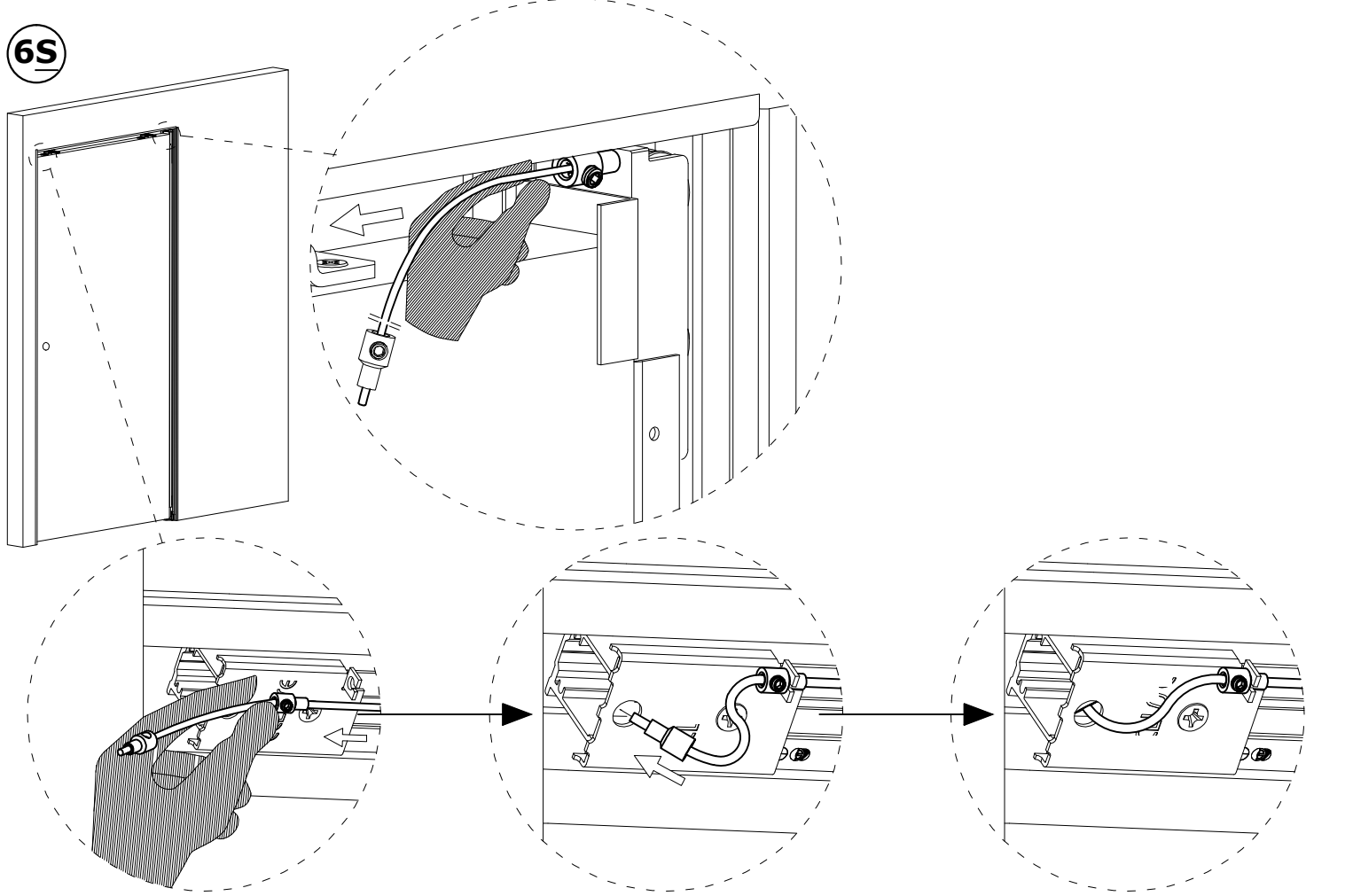
4S

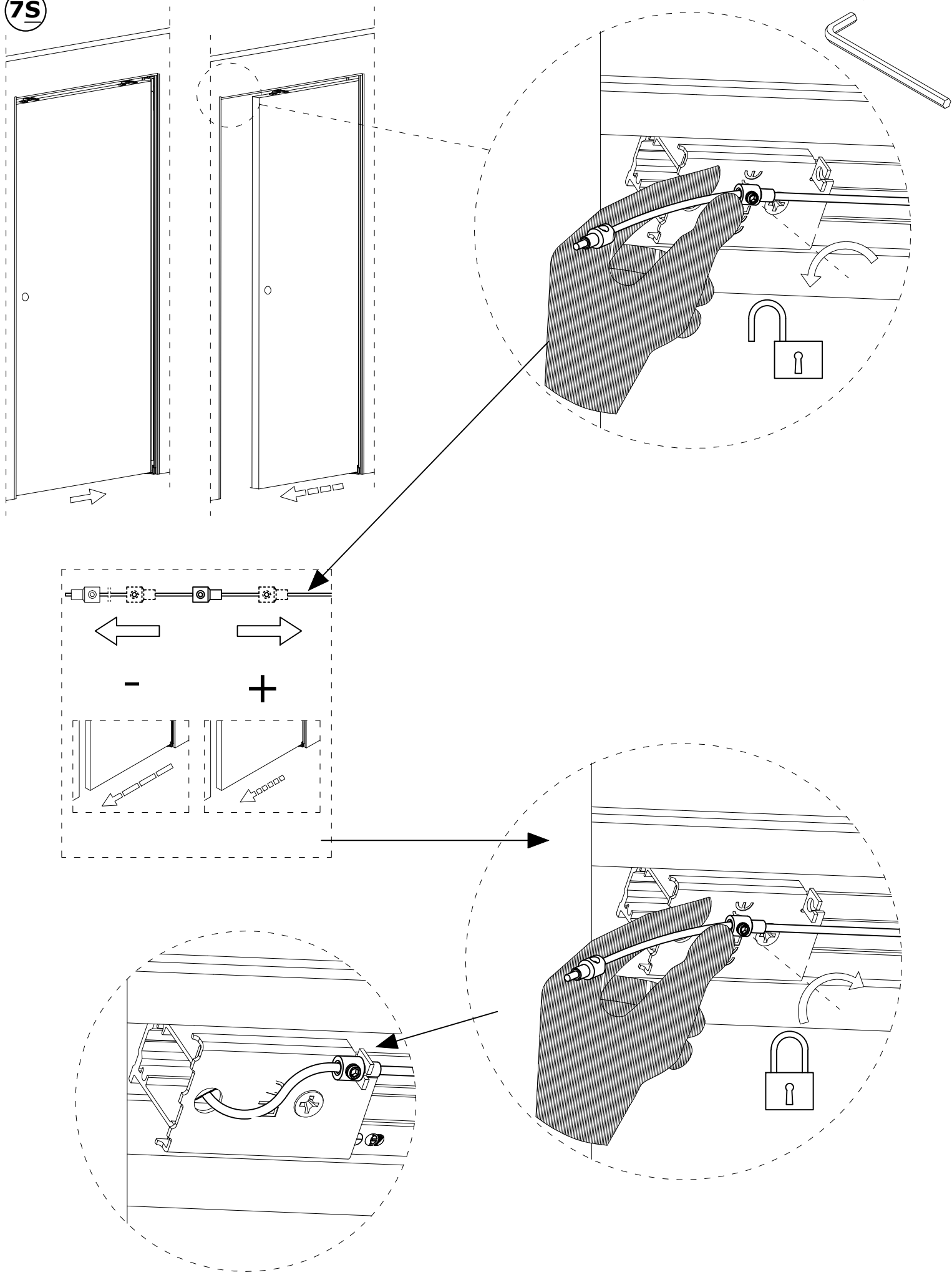


5S

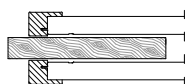
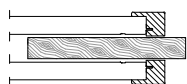
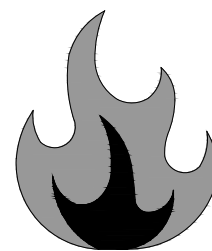


6S





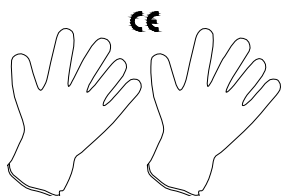
# SELF CLOSING SYSTEM FOR SINGLE AND DOUBLE POCKET DOORS SYSTEMS



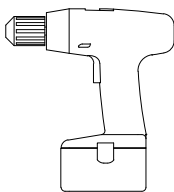
Double Doors

Single Door Pag: 1

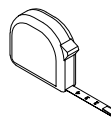
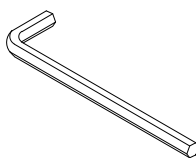
## TOOLS REQUIRED



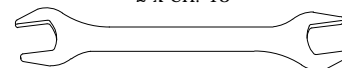
PH2 PZ2



CH. 2,5

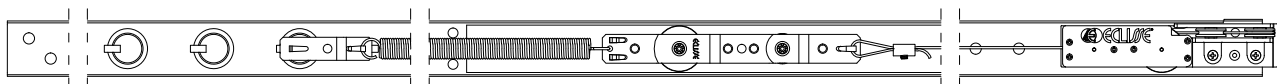


2 x CH. 13

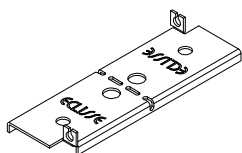


## COMPONENTS

a 2 x



b 2 x



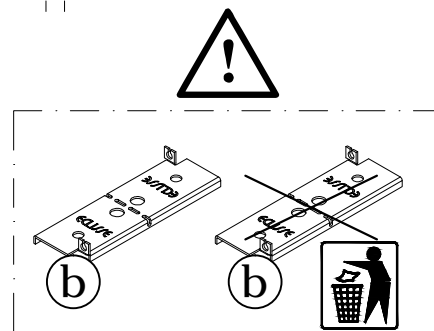
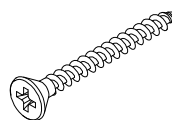
d 2 x



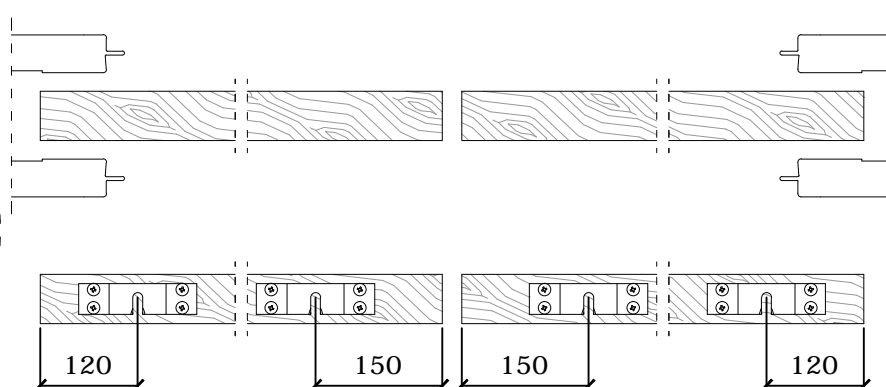
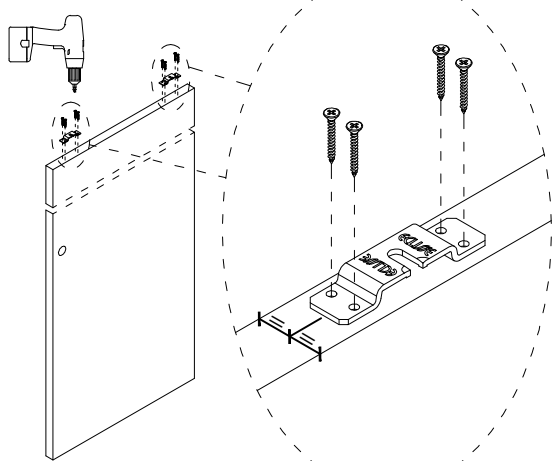
c 2 x



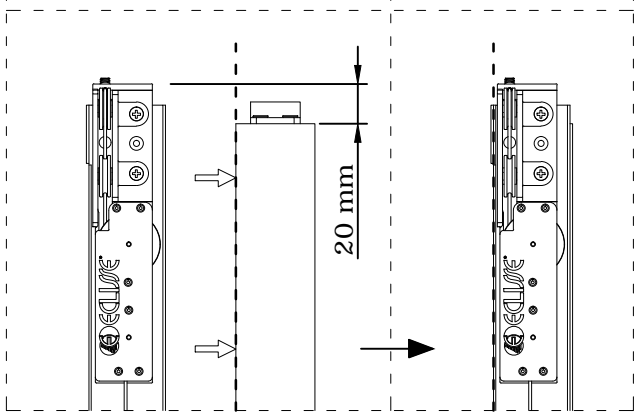
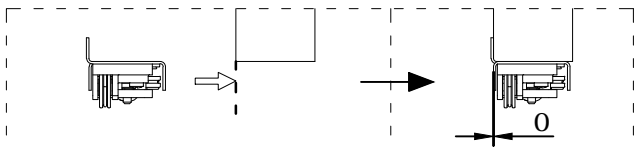
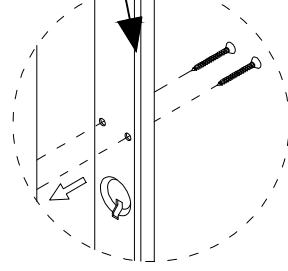
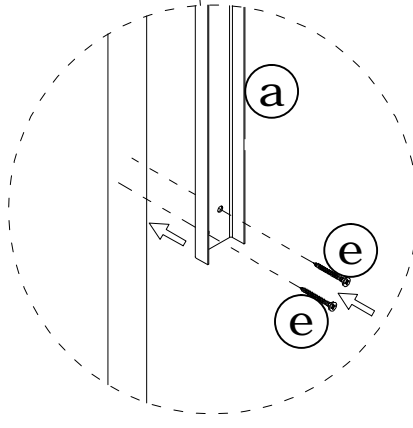
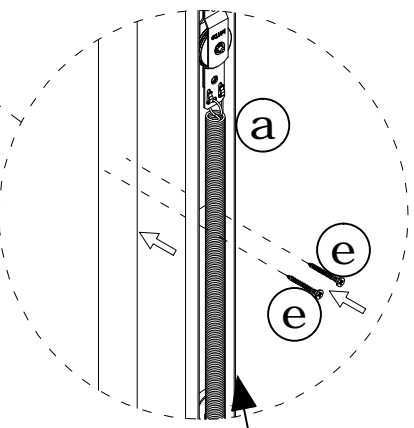
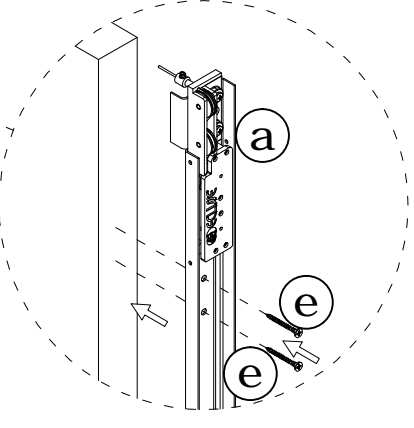
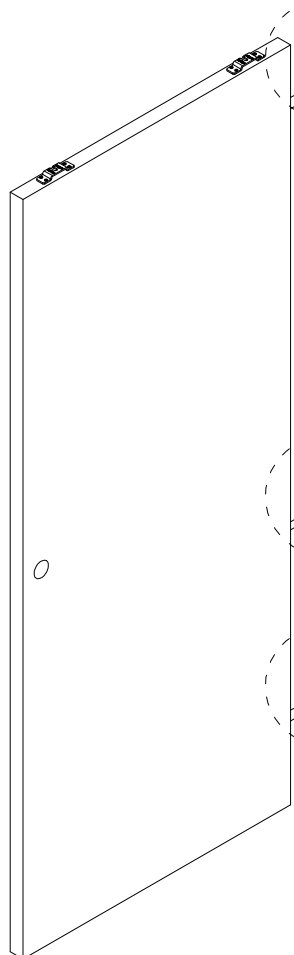
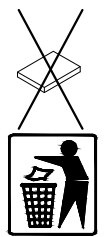
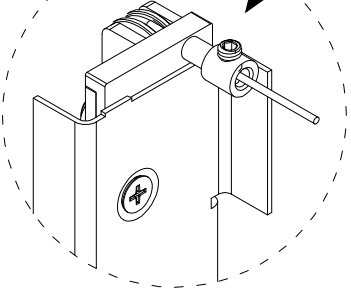
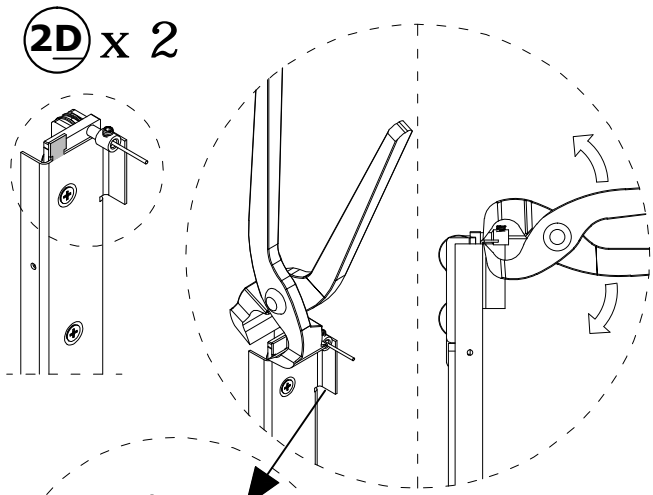
e 12 x



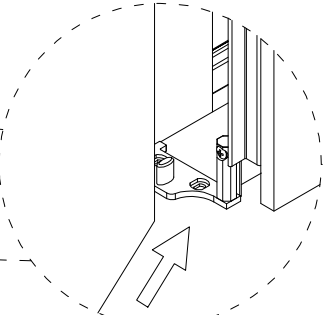
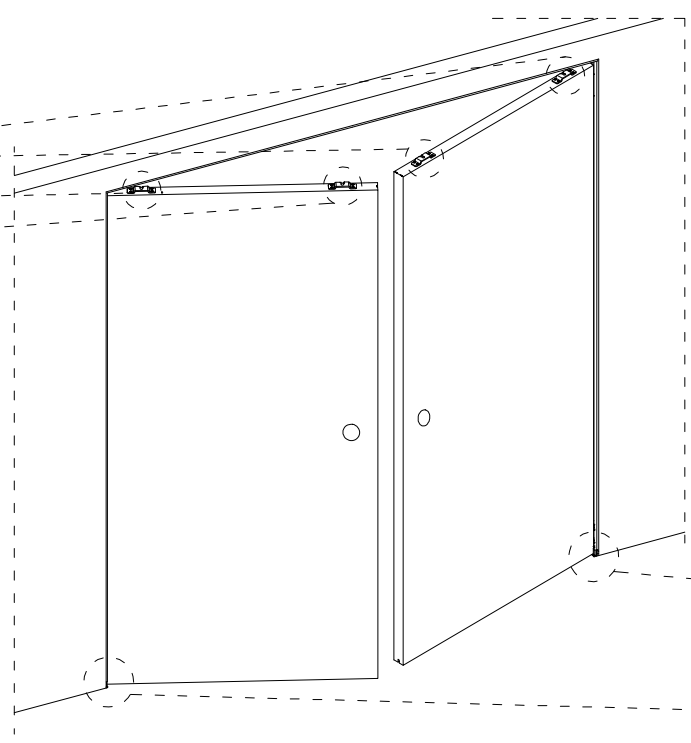
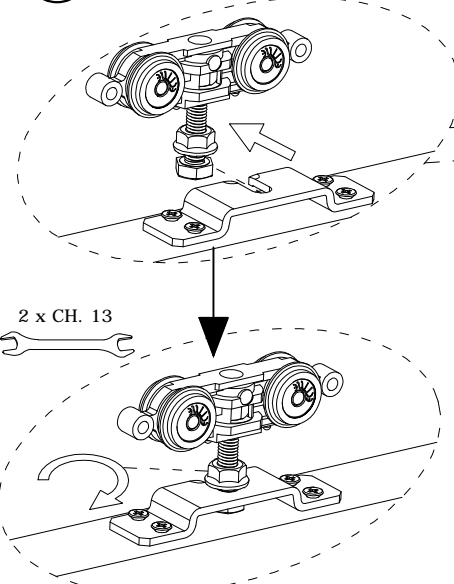
1D



**2D** x 2



**3D**





6D x 2

CH. 2,5

603038700

