

# RUSTIC TOP MOUNT

## Fitting Instructions

### KIT CONTENTS

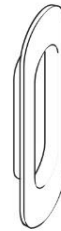


M8 x 85  
2m kit (x 5)  
3m kit (x 7)



Track Wall Spacers  
2m kit (x 5)  
3m kit (x 7)

Flush Pulls  
2m kit (x 2)  
3m kit (x 2)



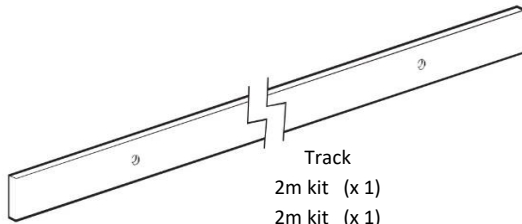
ST6 x 40  
2m kit (x 4)  
3m kit (x 4)



ST4.2 x 25  
2m kit (x 2)  
3m kit (x 2)



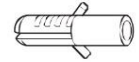
M8 x 60  
2m kit (x 5)  
3m kit (x 7)



Track  
2m kit (x 1)  
2m kit (x 1)



Top Mounted Hangers  
2m kit (x 2)  
3m kit (x 2)



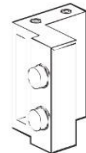
Wall Plug  
2m kit (x 2)  
3m kit (x 2)



M8 x 25  
2m kit (x 5)  
3m kit (x 7)



M8 x 25  
2m kit (x 5)  
3m kit (x 7)



Track Stop  
2m kit (x 2)  
3m kit (x 2)



Anti-Jump Cams  
2m kit (x 2)  
3m kit (x 2)



Guide  
2m kit (x 1)  
3m kit (x 1)

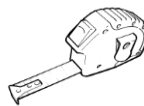
\* Alternative track fixings provided depending on wall type

### TOOLS REQUIRED

Screwdriver



Tape Measure



Spirit Level



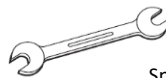
Drill



Pencil



Spanner

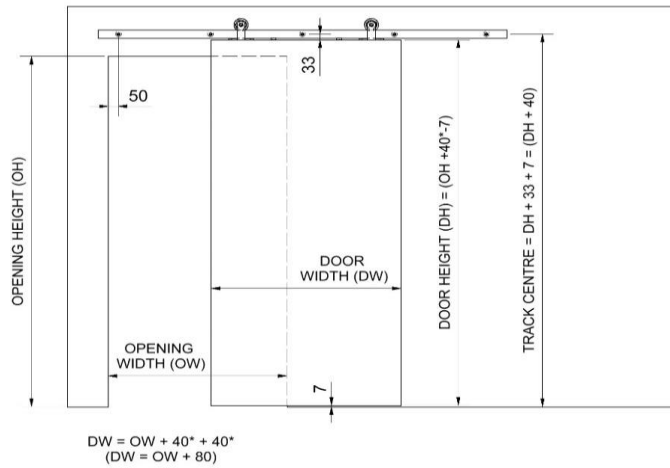


Drill Bits

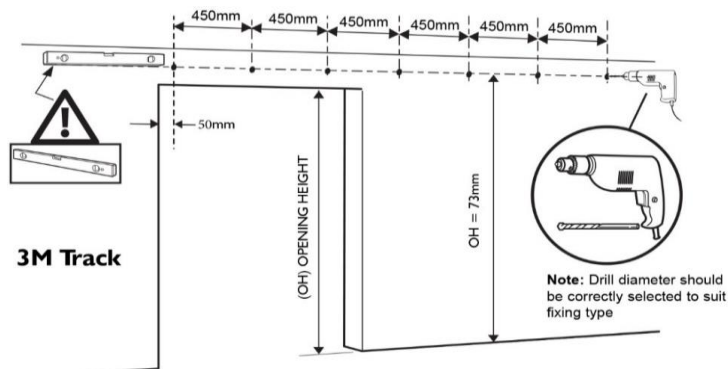
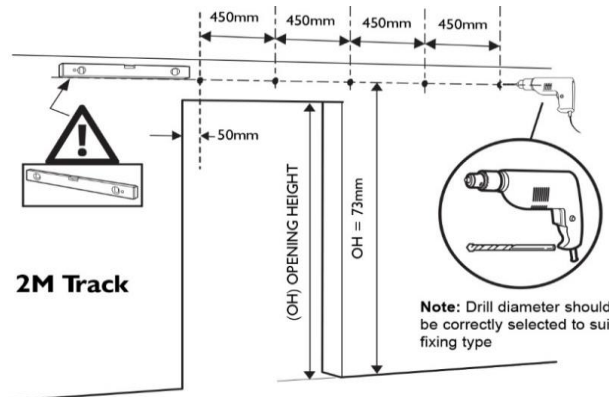


## STEP BY STEP FITTING INSTRUCTIONS

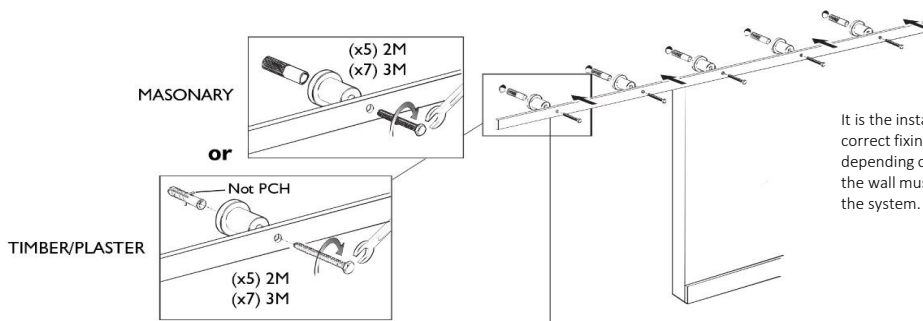
### STEP 1: Mark and drill fixing holes.



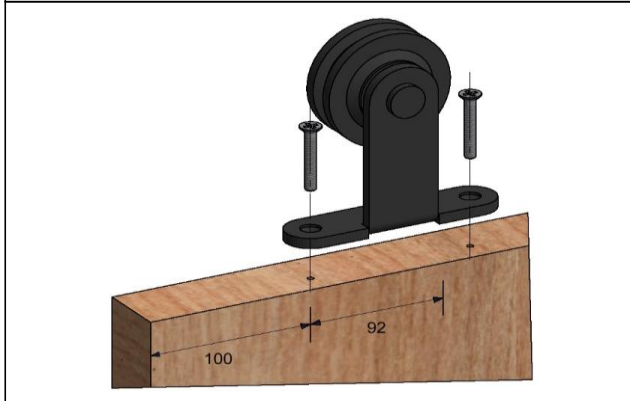
\*PCH suggests 40mm overlap of the door to the opening.



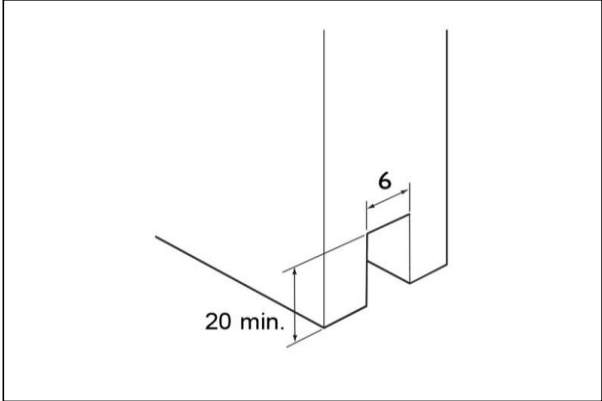
### STEP 2: Fix M8 screw inserts, spacers and track to wall.



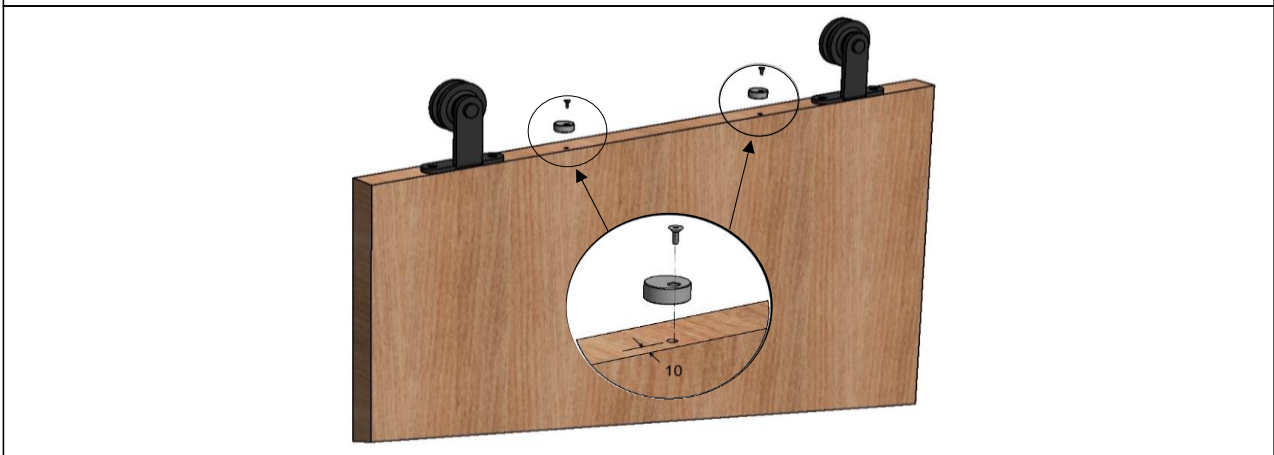
**STEP 3:** Fix hangers to door, aligning front of hanger to front of door (see diagram in step 6).



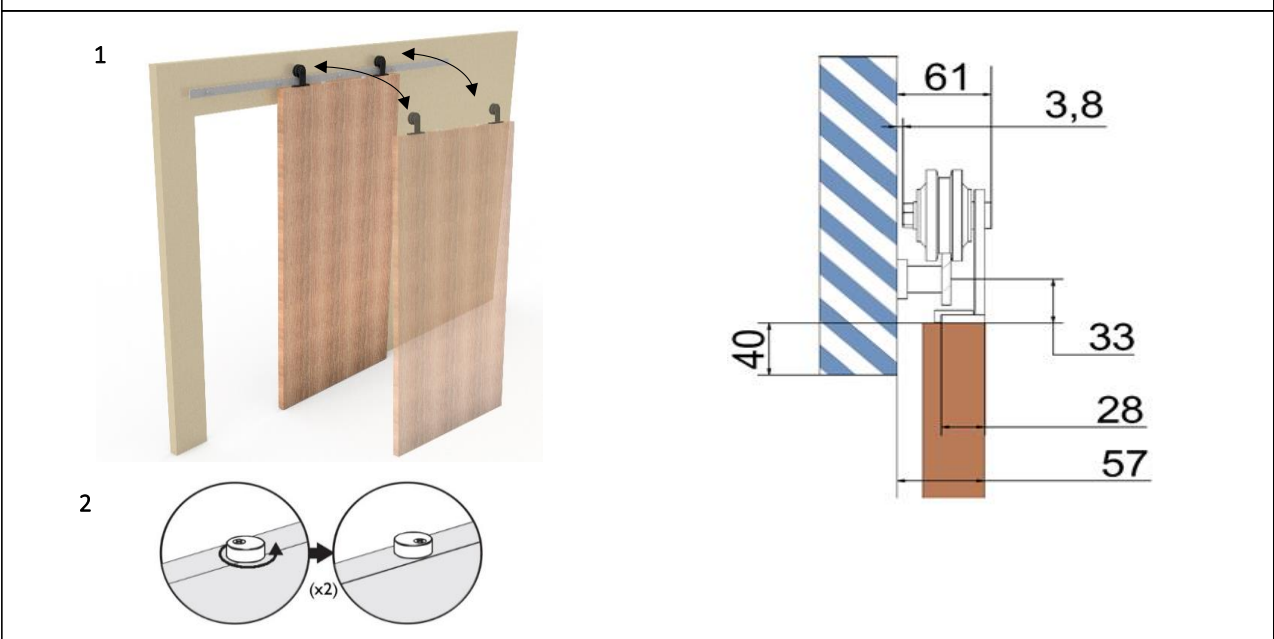
**STEP 4:** Floor guide routing detail.



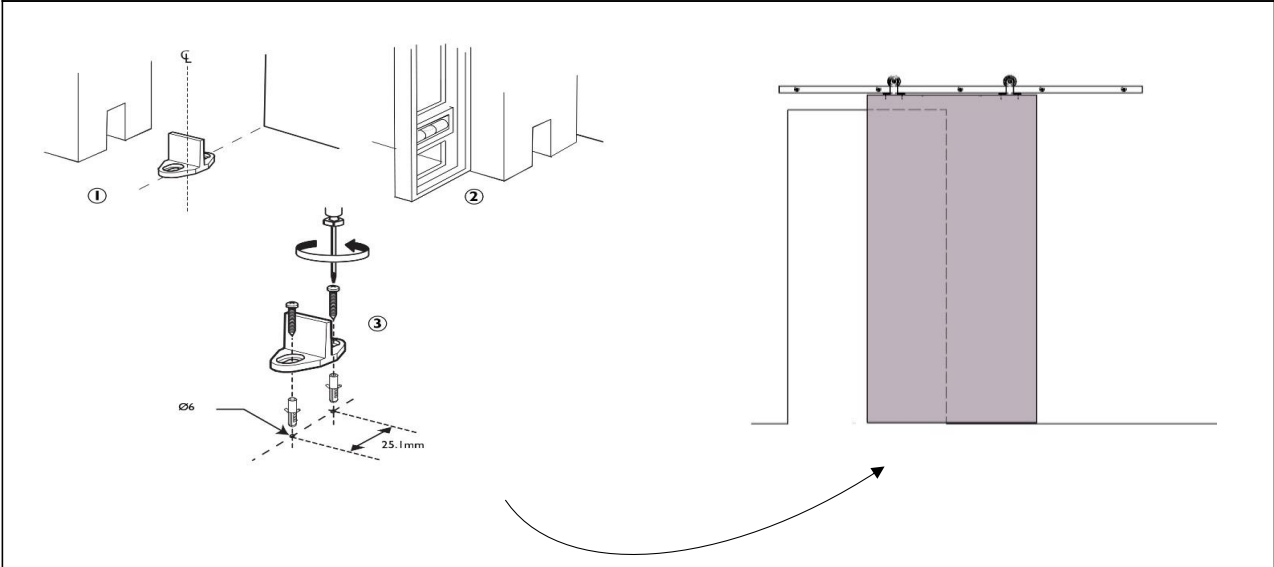
**STEP 5:** Fit anti-jump cams.



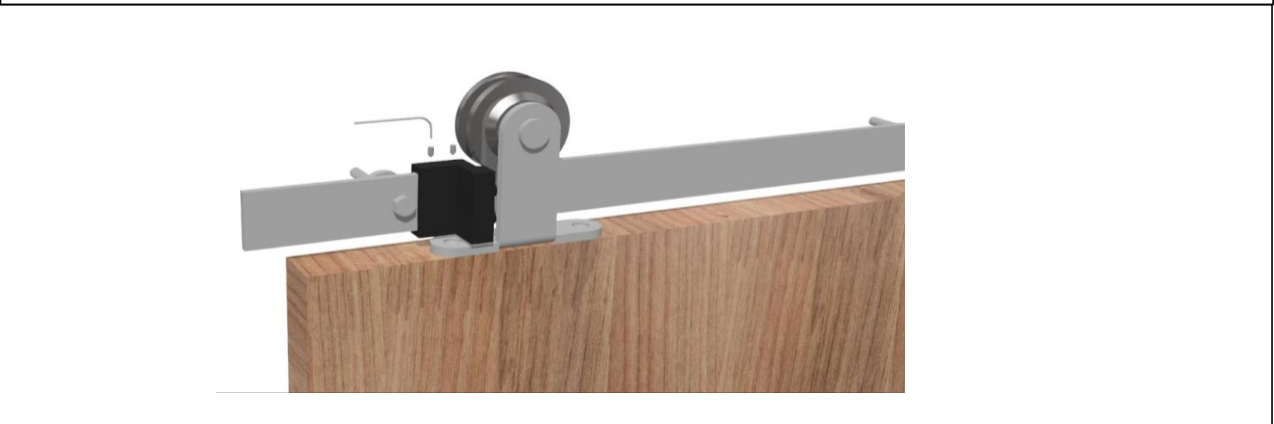
**STEP 6:** Hang door and adjust anti-jump cams.



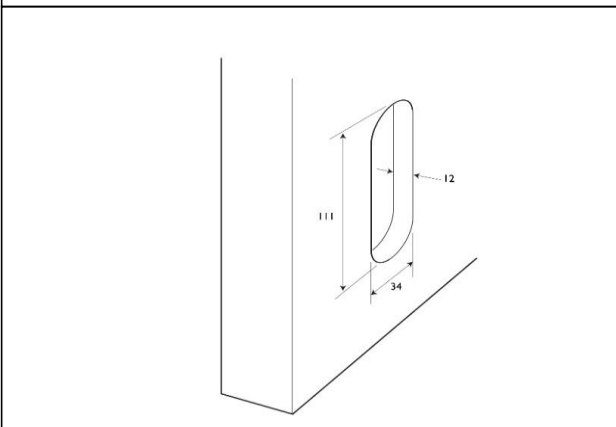
**STEP 7:** Fit floor guide.



**STEP 8:** Fit and adjust door stops.



**STEP 9:** Flush pull routing detail.



**STEP 10:** Fit flush pull handle.

