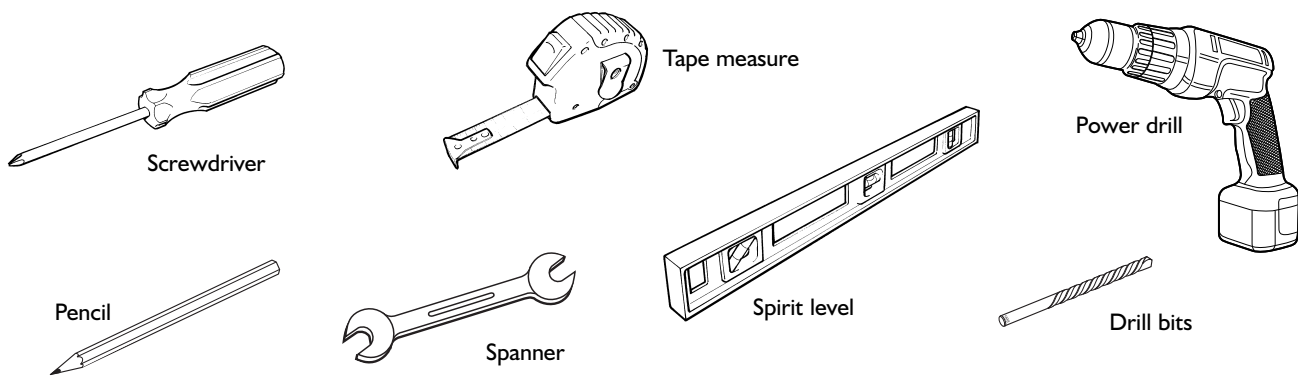
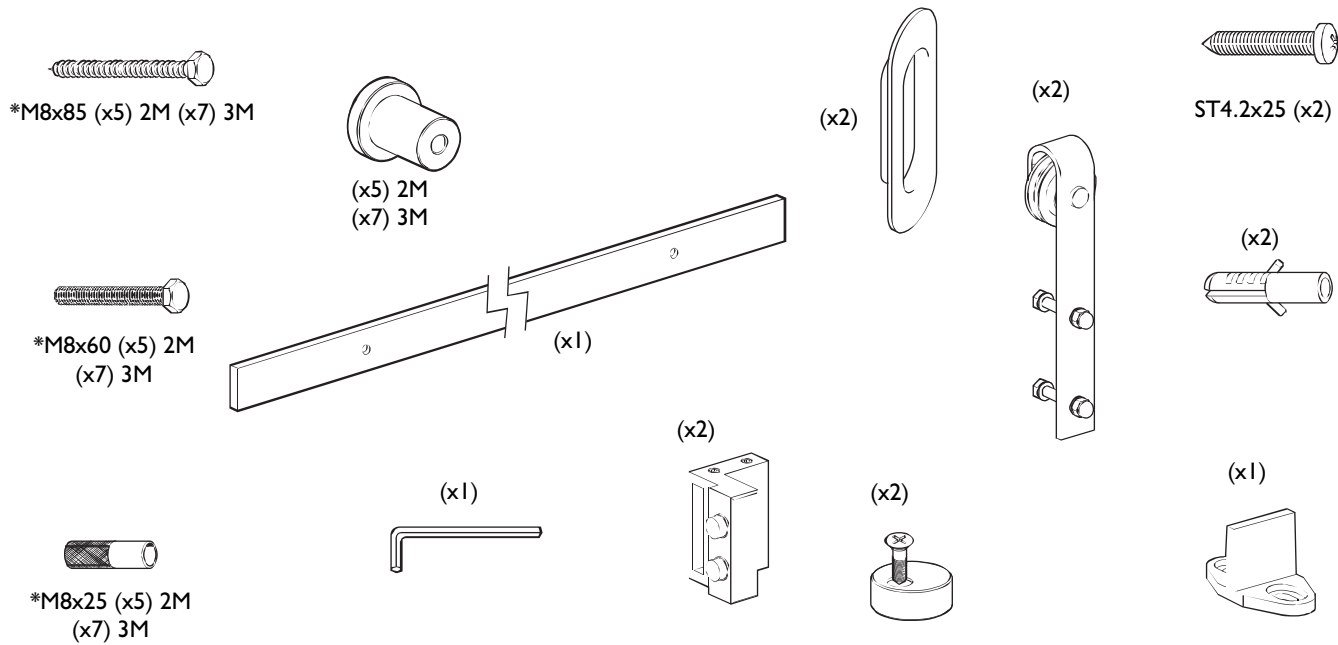


**Warranty.** This product is covered by a 10 year manufacturer's warranty.

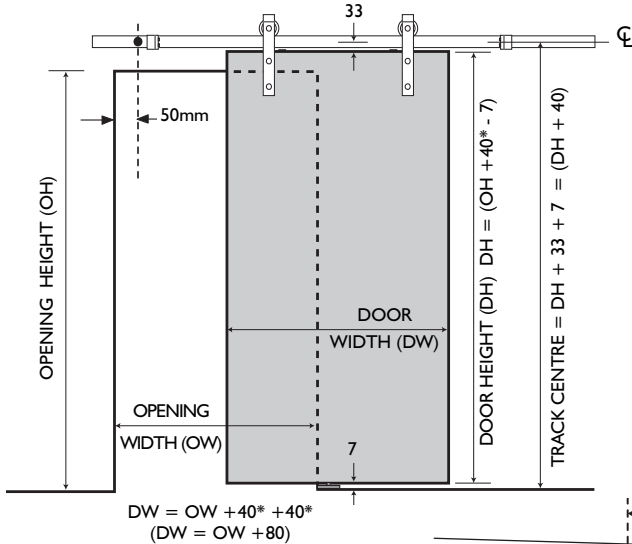
### Tools Required



### Contents of Kit

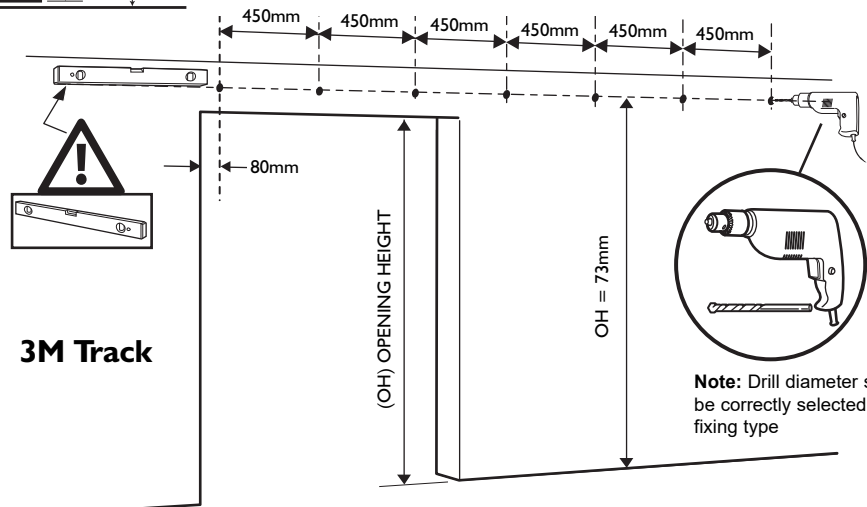
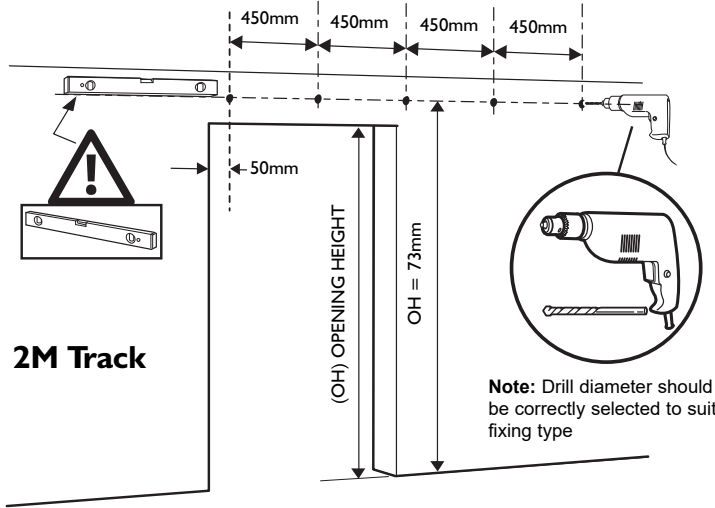


# I. Mark and drill fixing holes

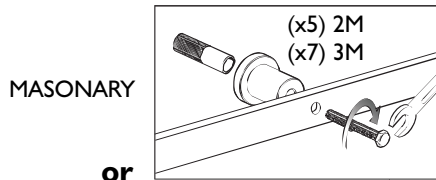


$DW = OW + 40* + 40*$   
 $(DW = OW + 80)$

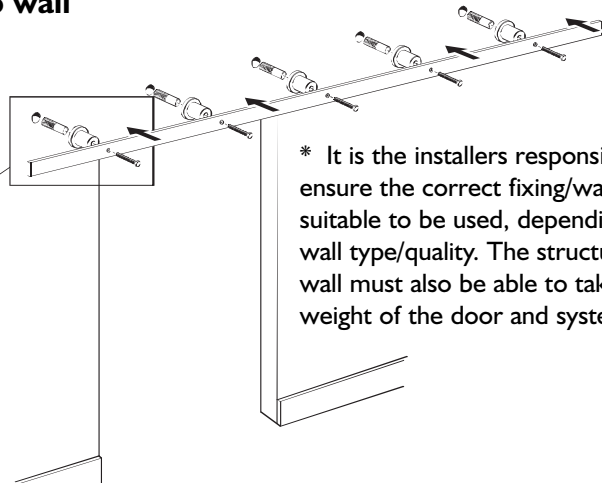
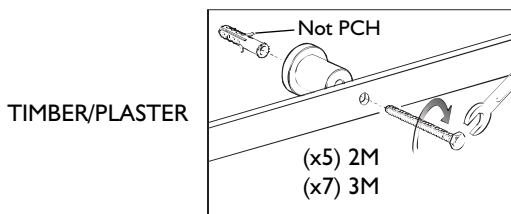
\*PCH Suggests 40mm overlap of the door to the opening.



# 2. Fix M8 screw inserts, spacers and track to wall

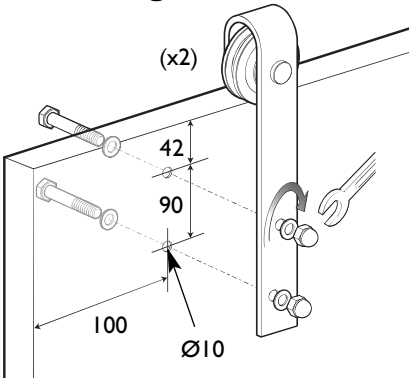


or

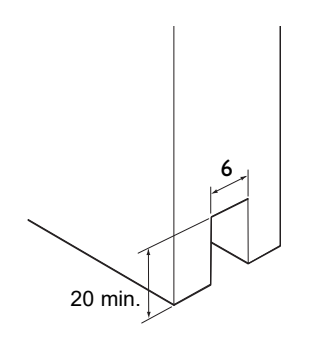


\* It is the installers responsibility to ensure the correct fixing/wall insert is suitable to be used, depending on wall type/quality. The structure of the wall must also be able to take the weight of the door and system.

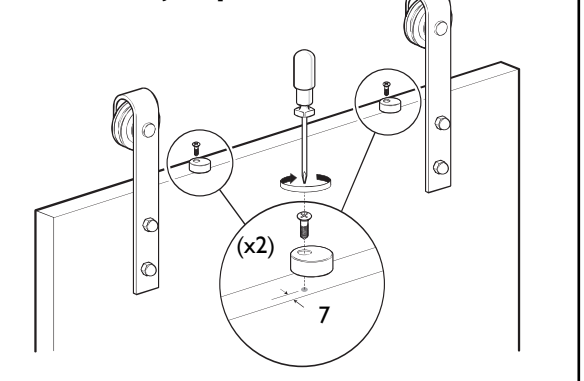
# 3. Fix hangers to door



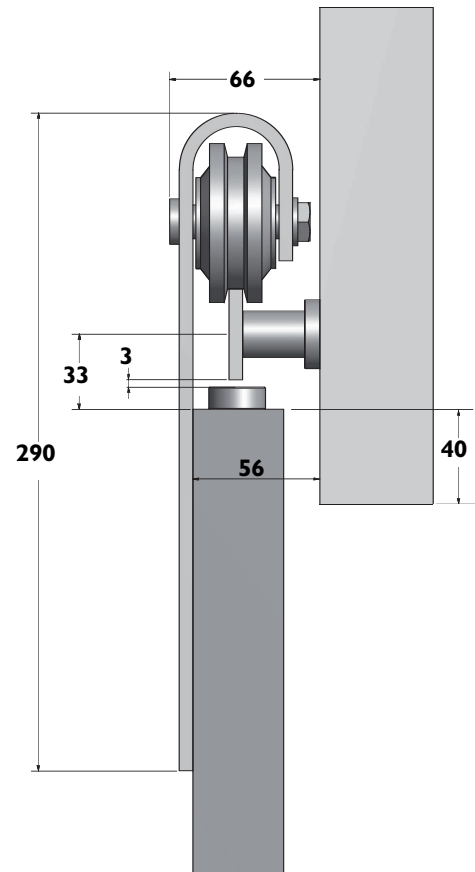
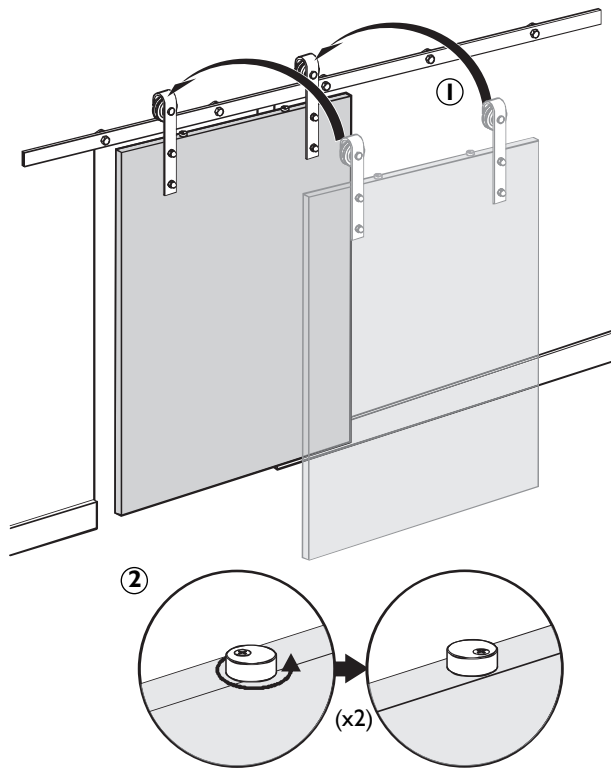
# 4. Floor guide routing detail



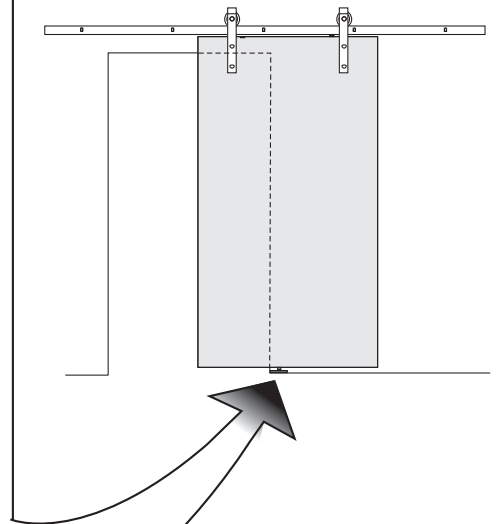
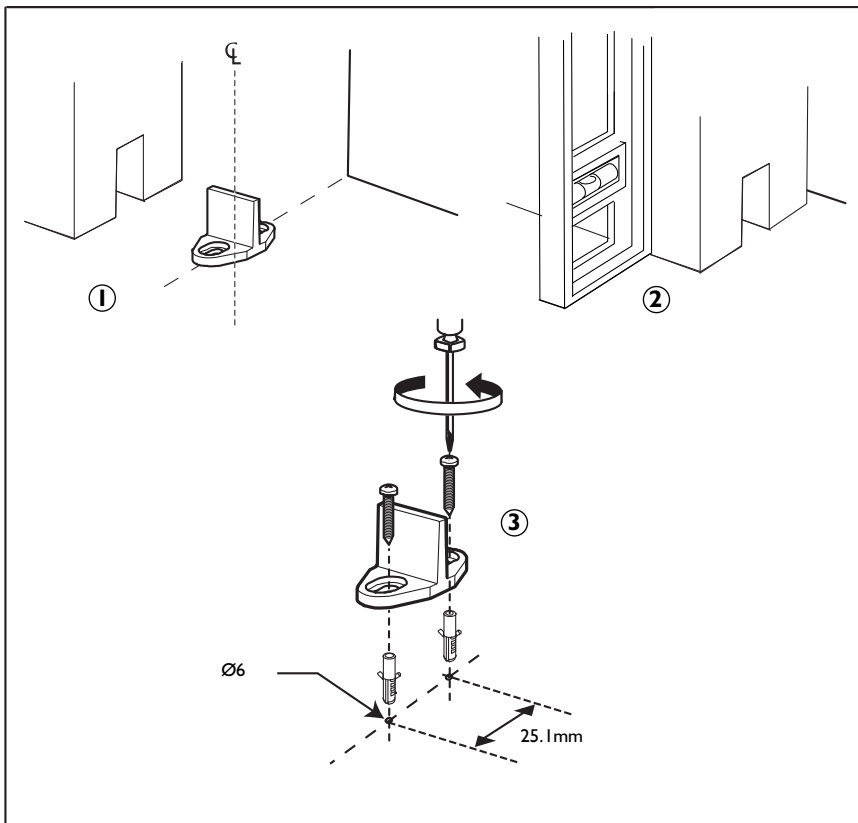
# 5. Fit anti-jump cams



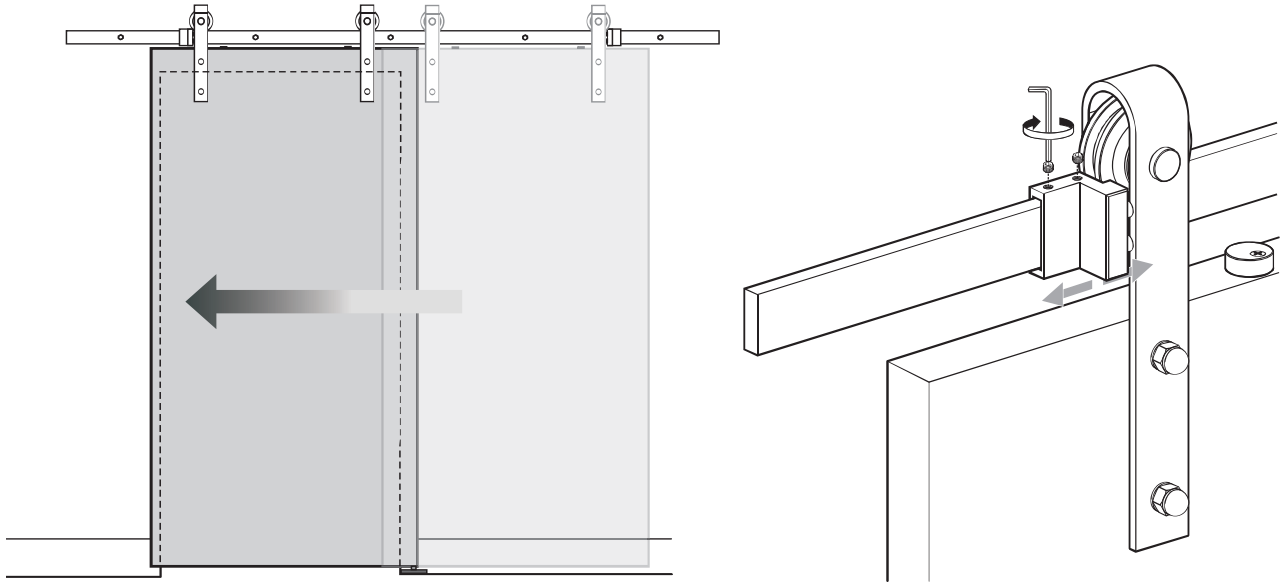
## 6. Hang door and adjust anti-jump cams



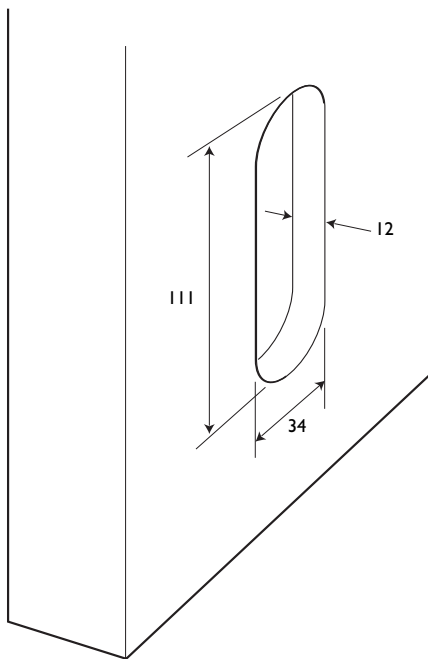
## 7. Fit floor guide



### 8. Fit and adjust door stops



### 9. Flush pull handle routing detail



### 10. Fit flush pull handle

