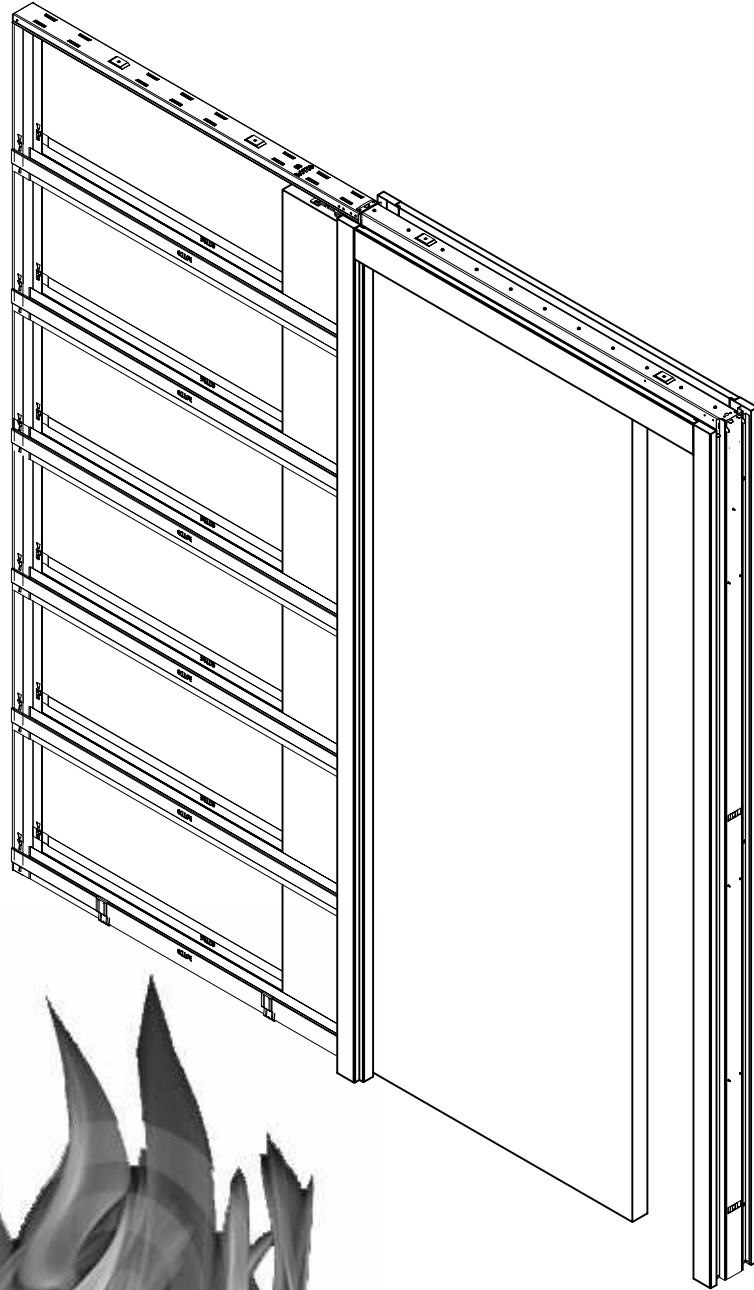
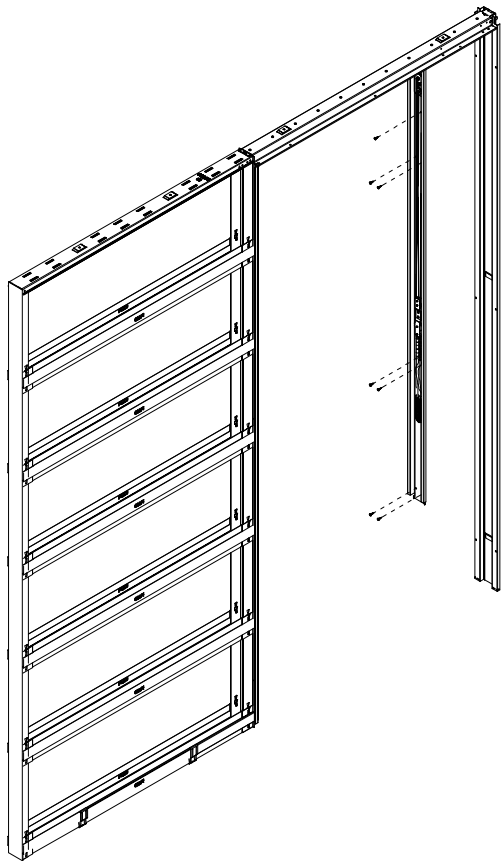


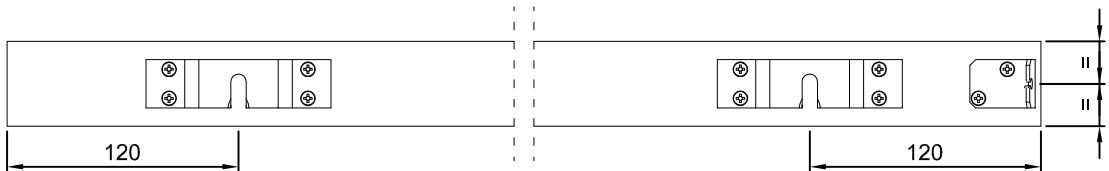
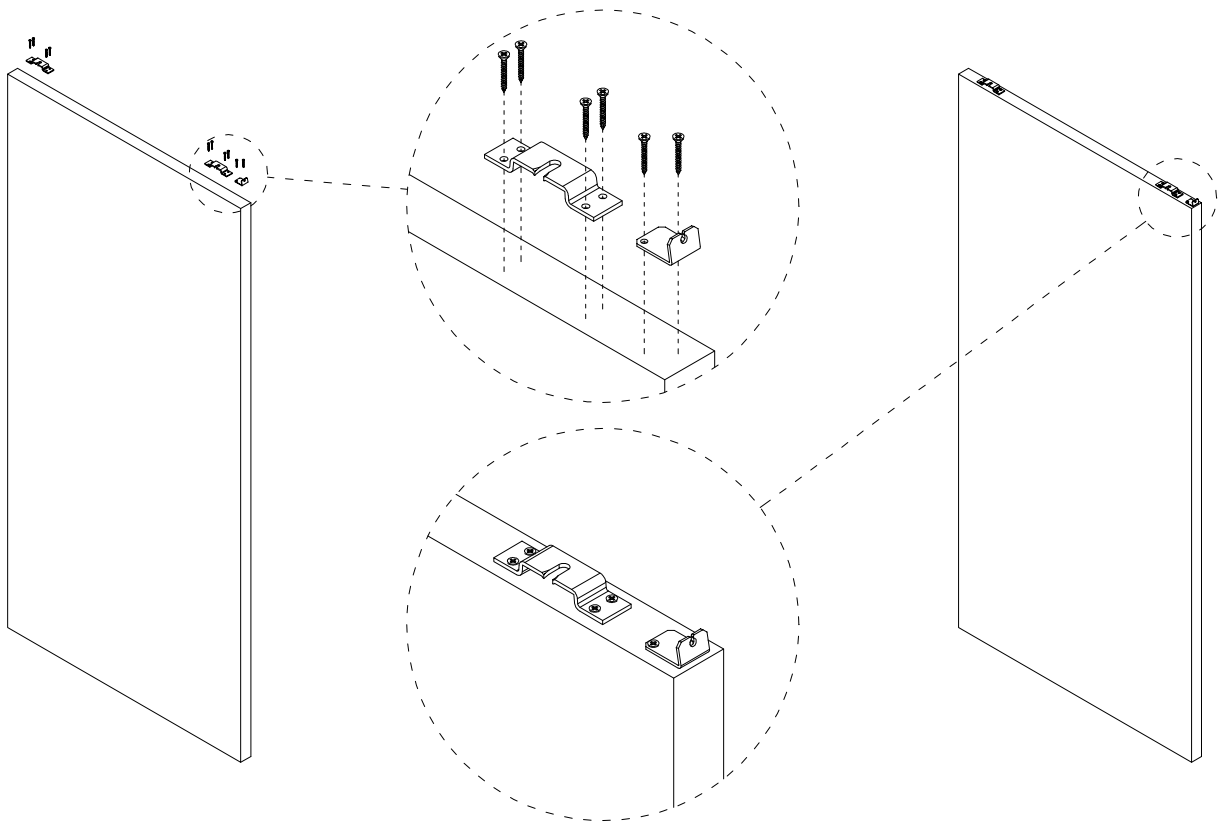
EMERALD DOORS



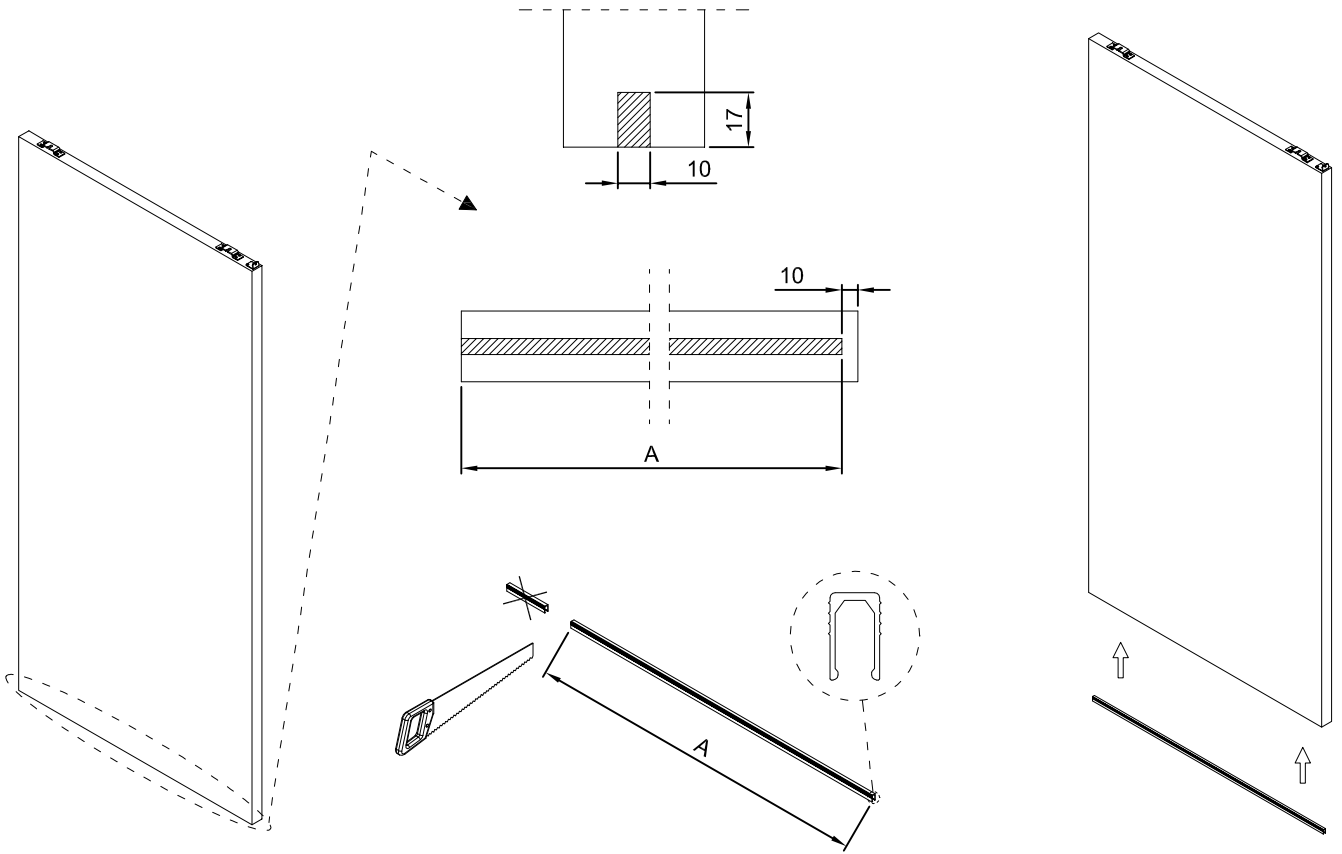
1



2

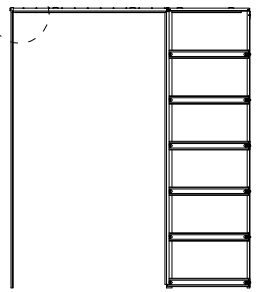
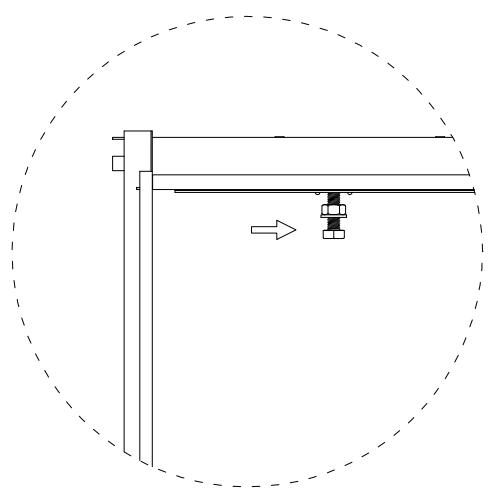
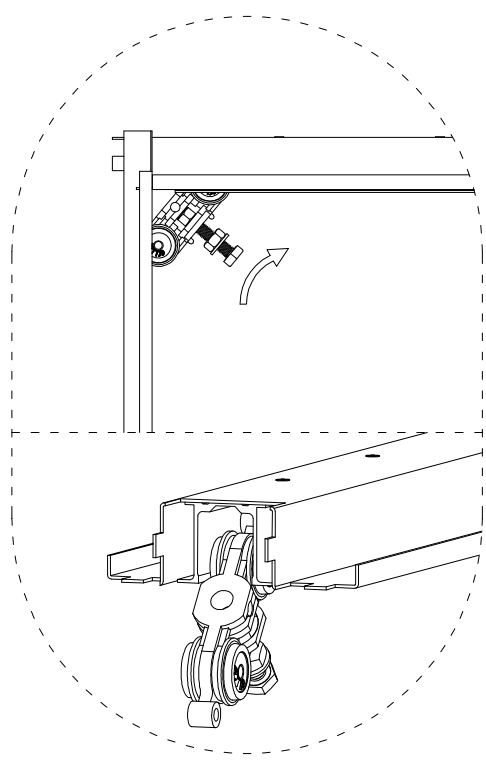
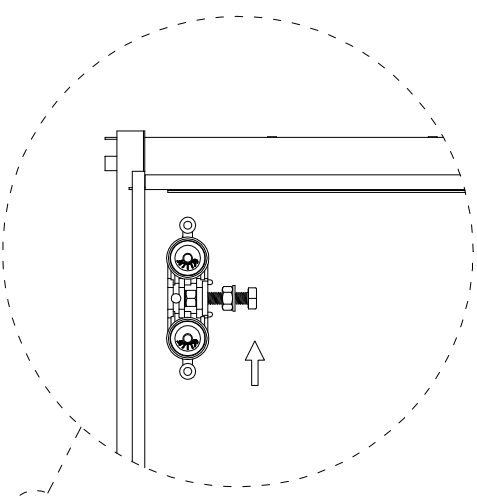
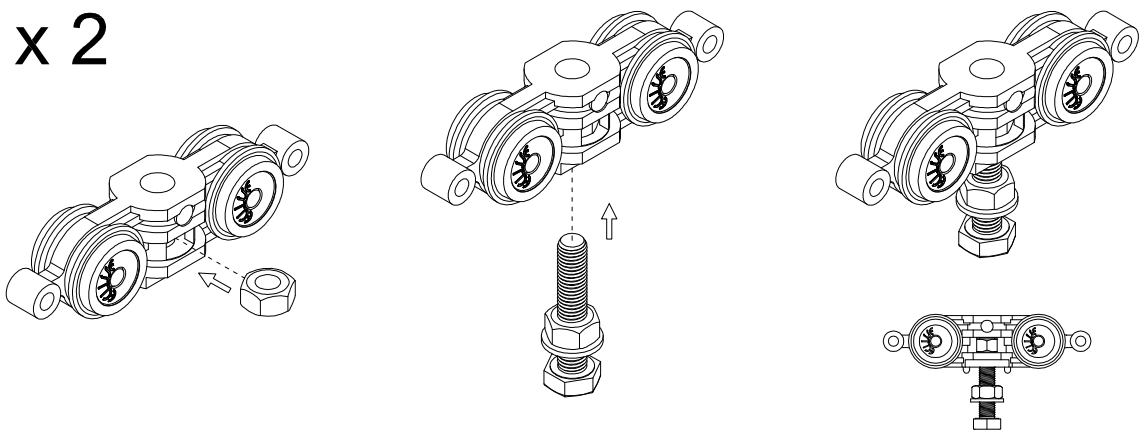


3

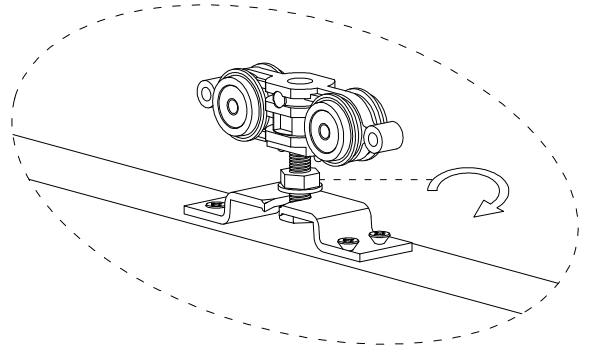
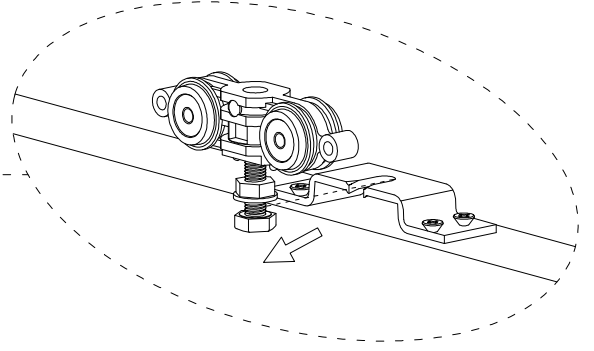
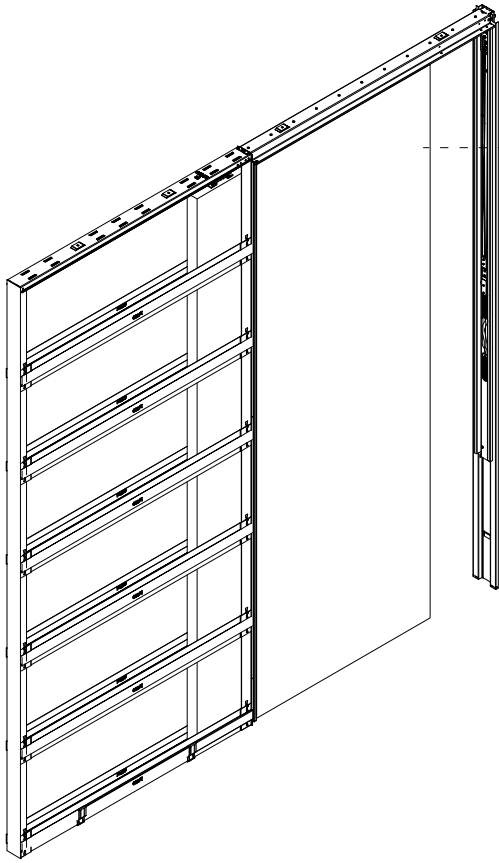


4

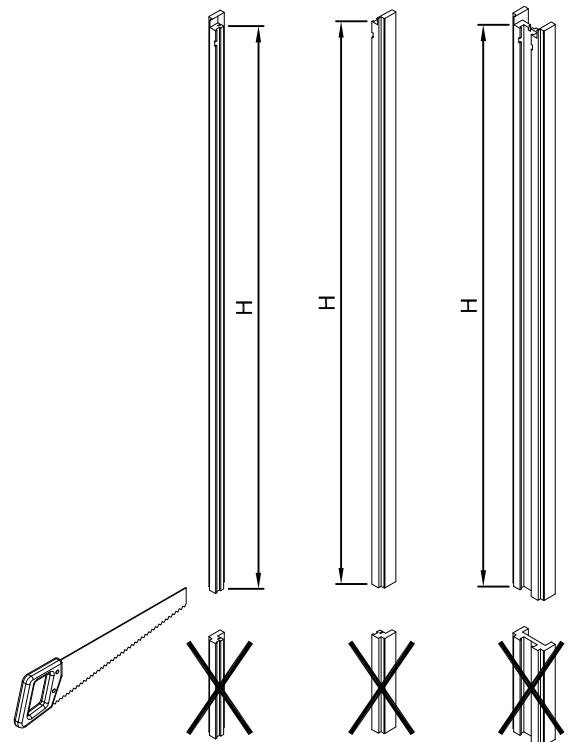
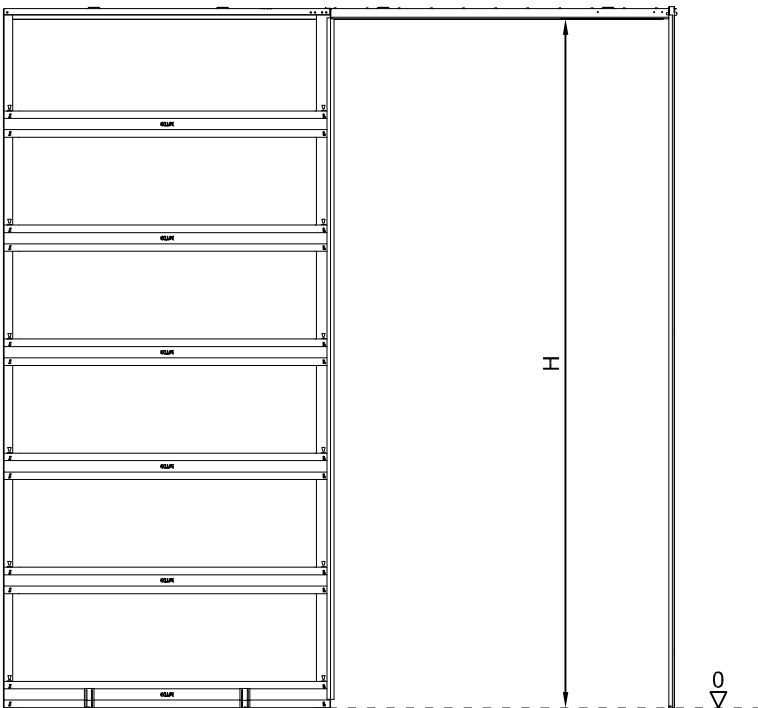
x 2



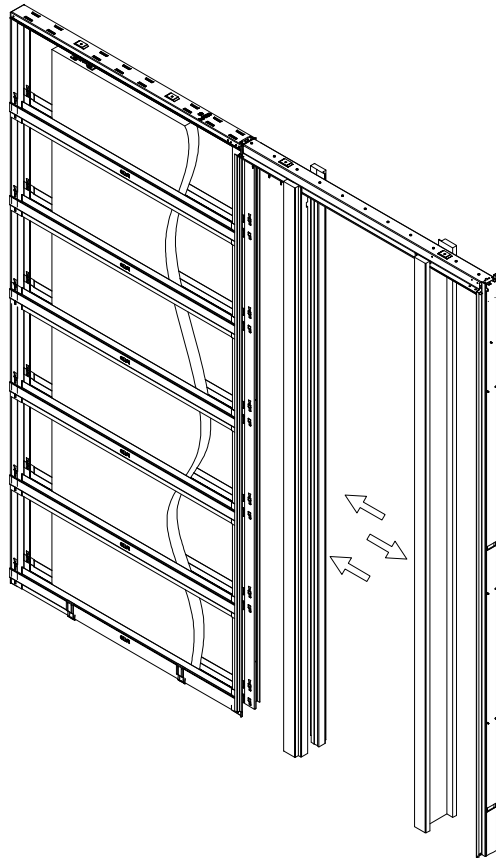
5



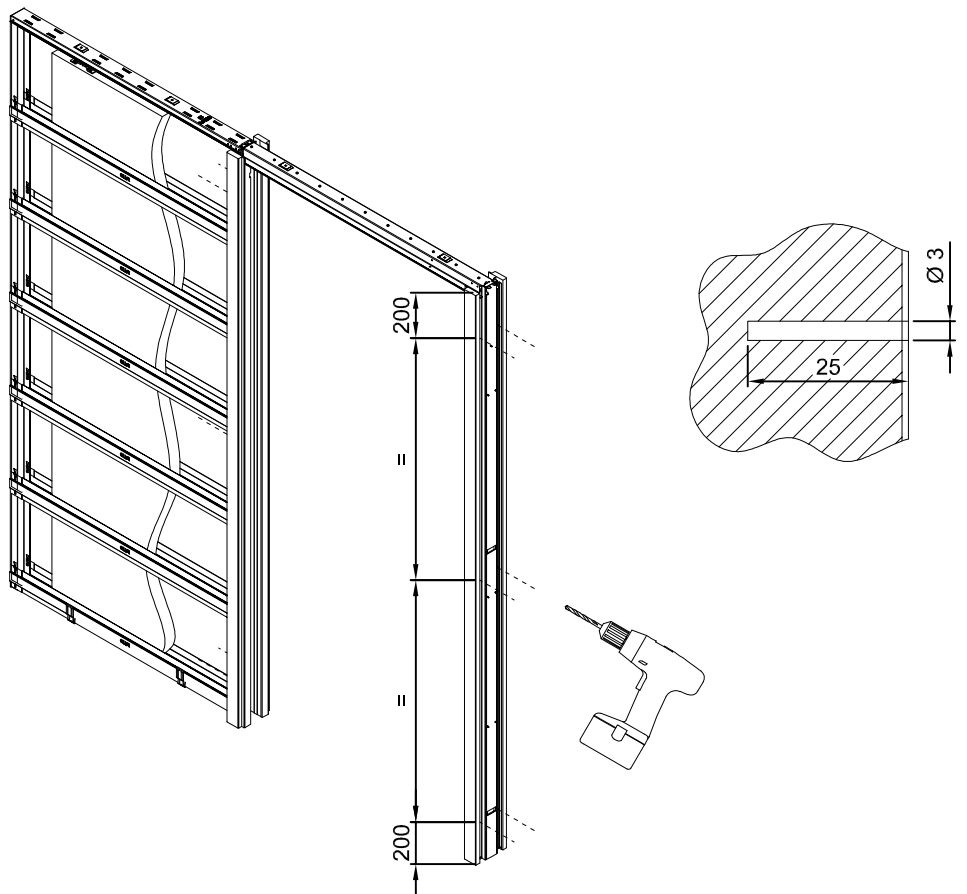
6



7

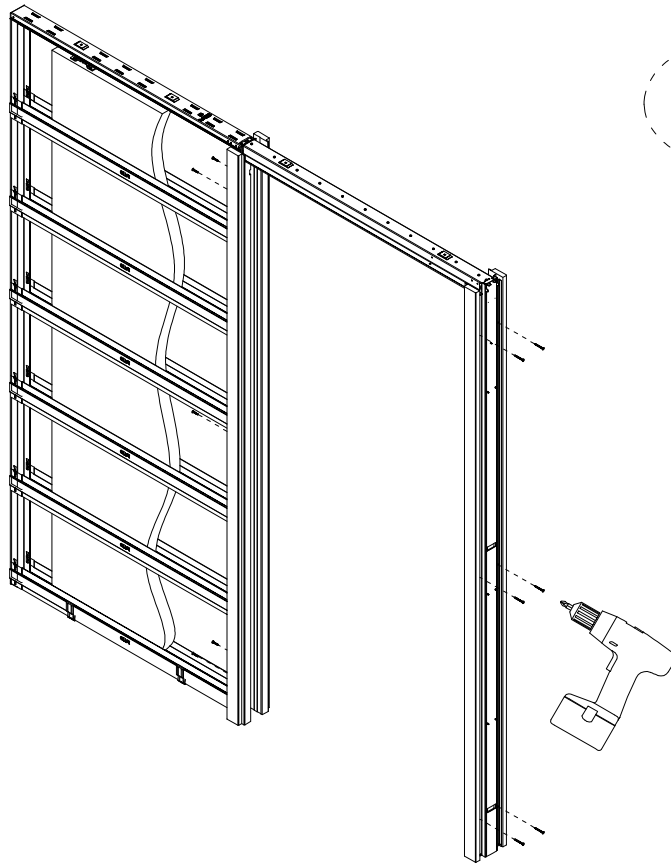


8



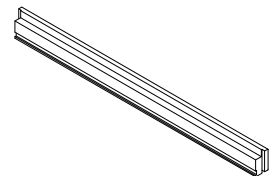
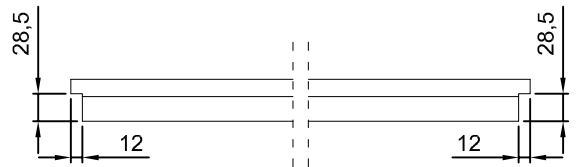
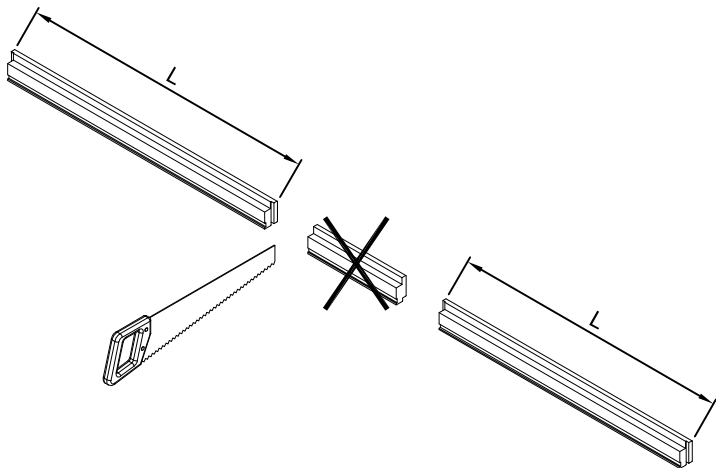
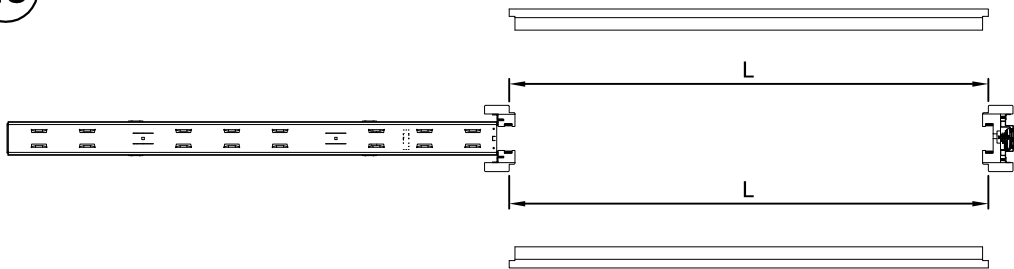
If you have already applied the plasterboard please go straight to operation 15.

9

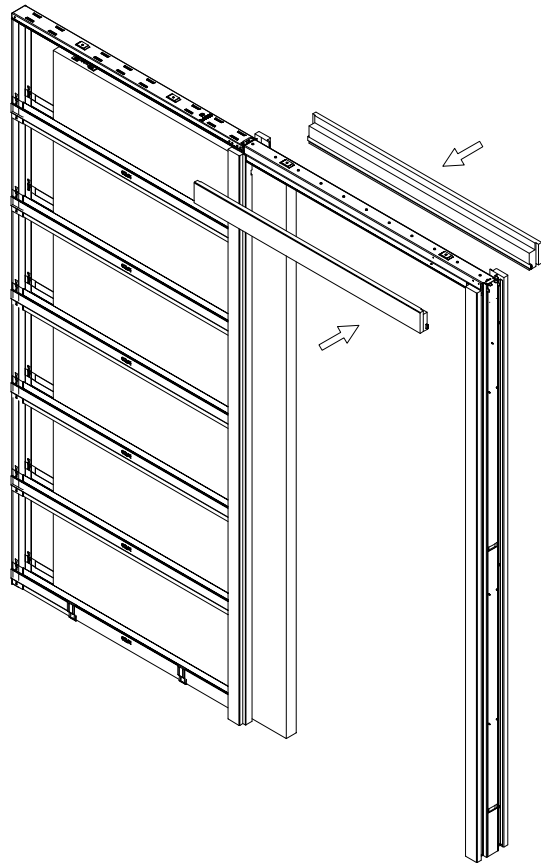


4x25

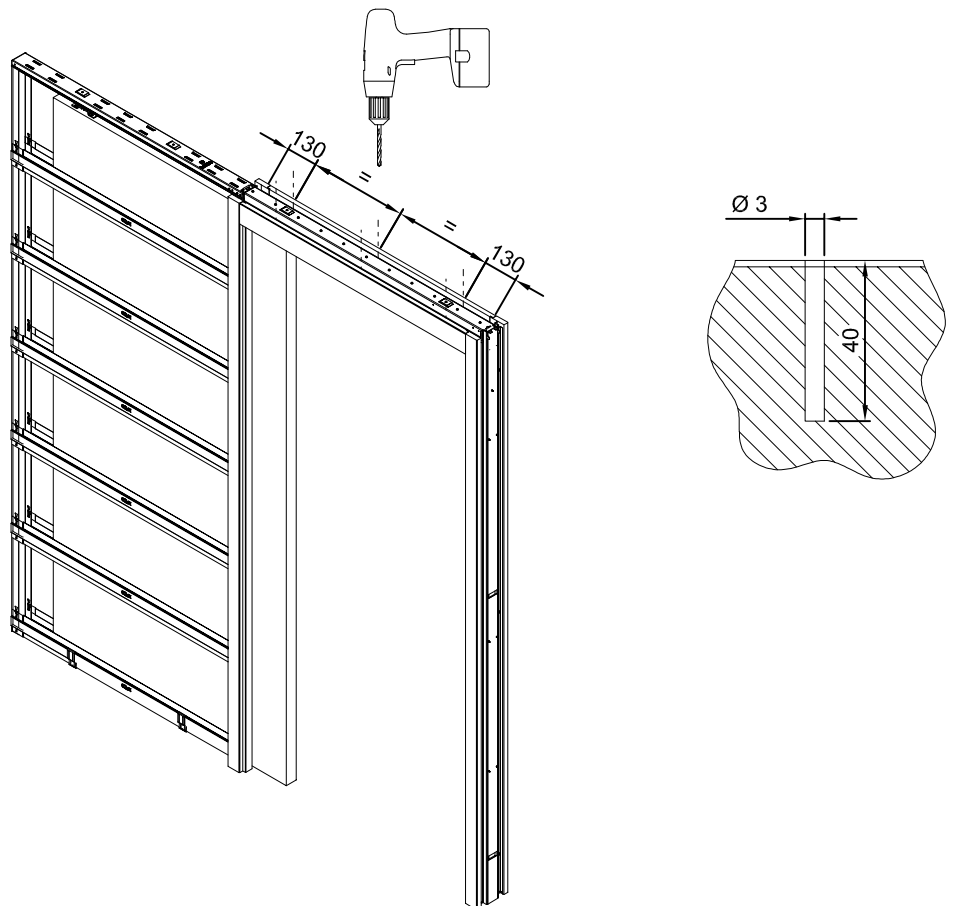
10



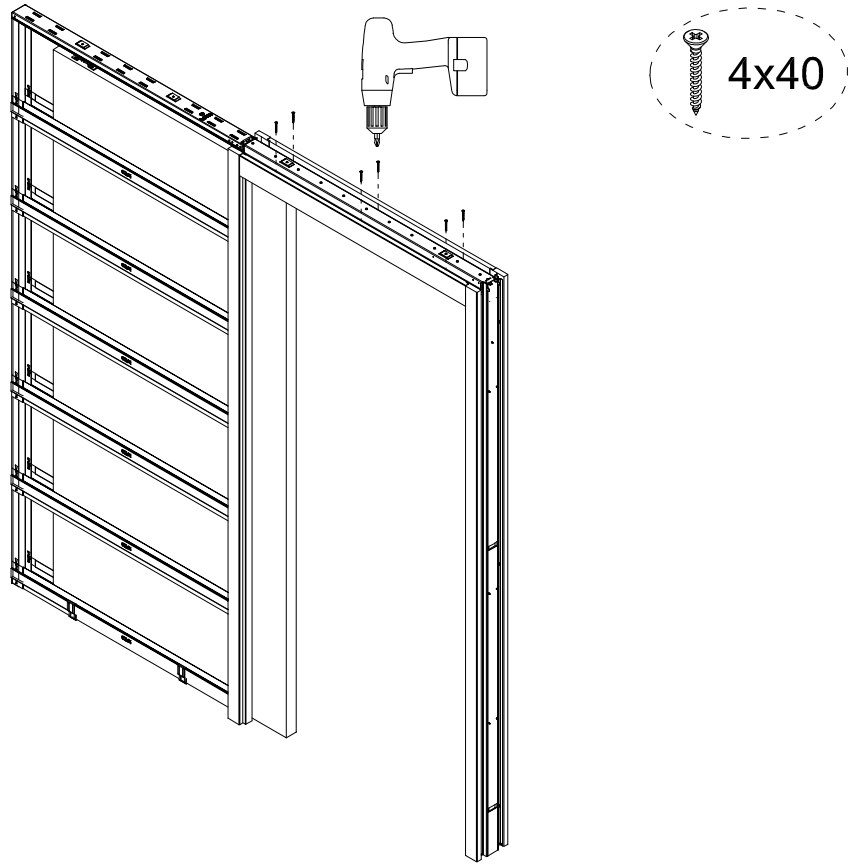
11



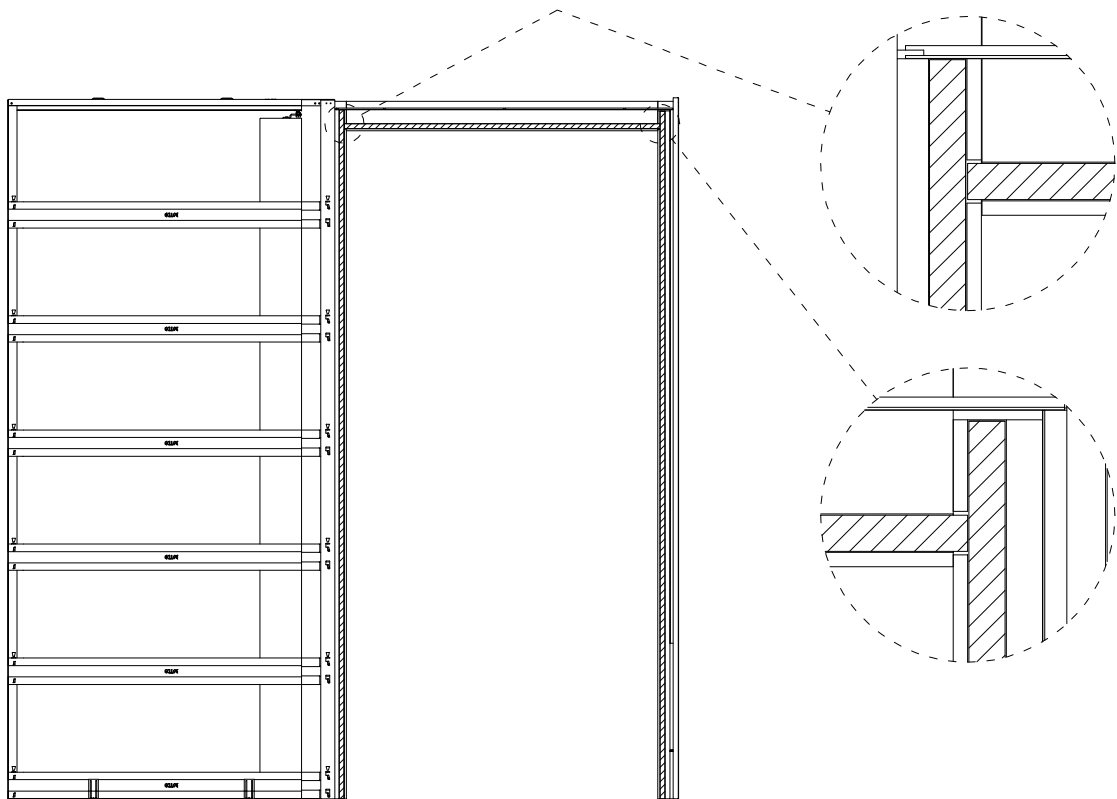
12



13

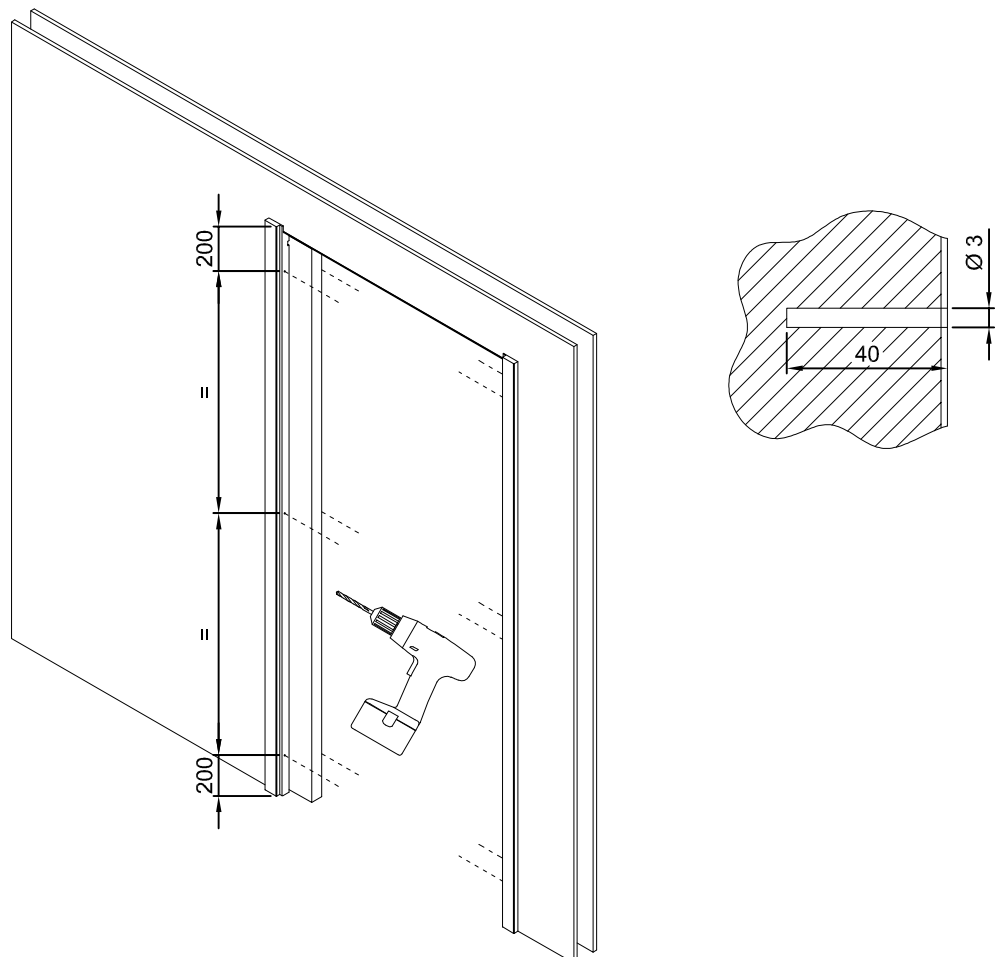


14

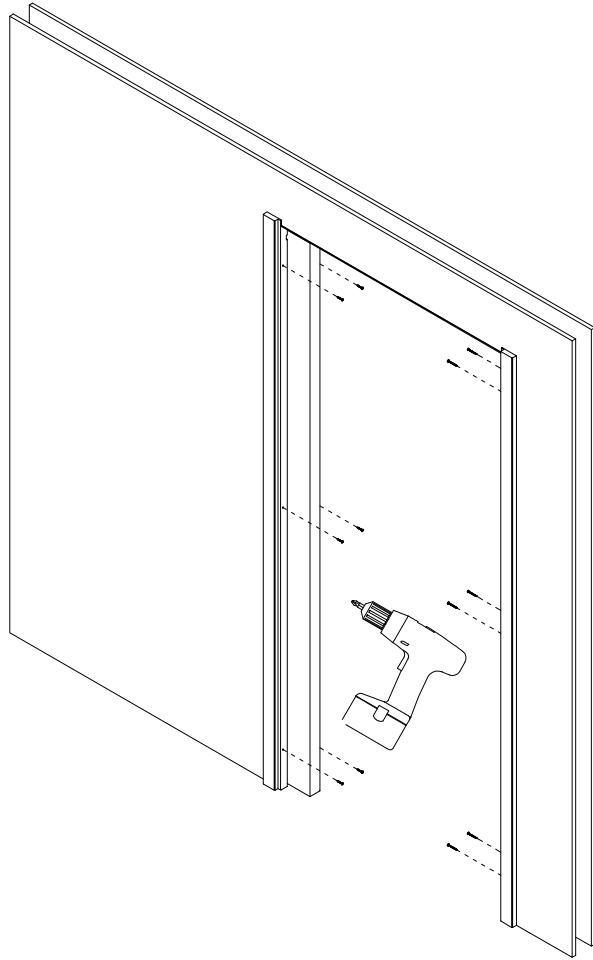


Jamb installation if plasterboard already fitted.

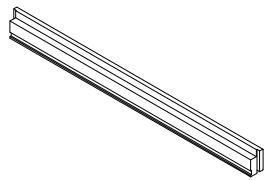
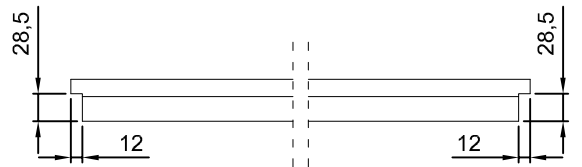
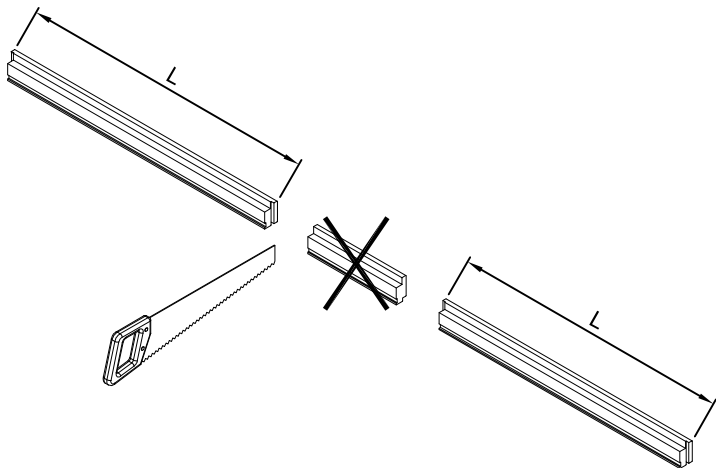
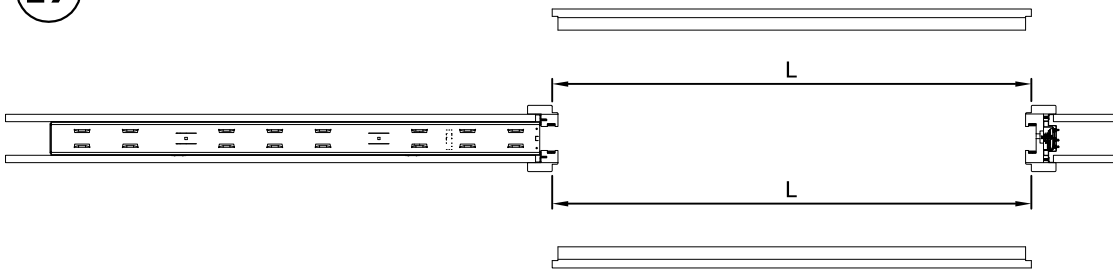
15



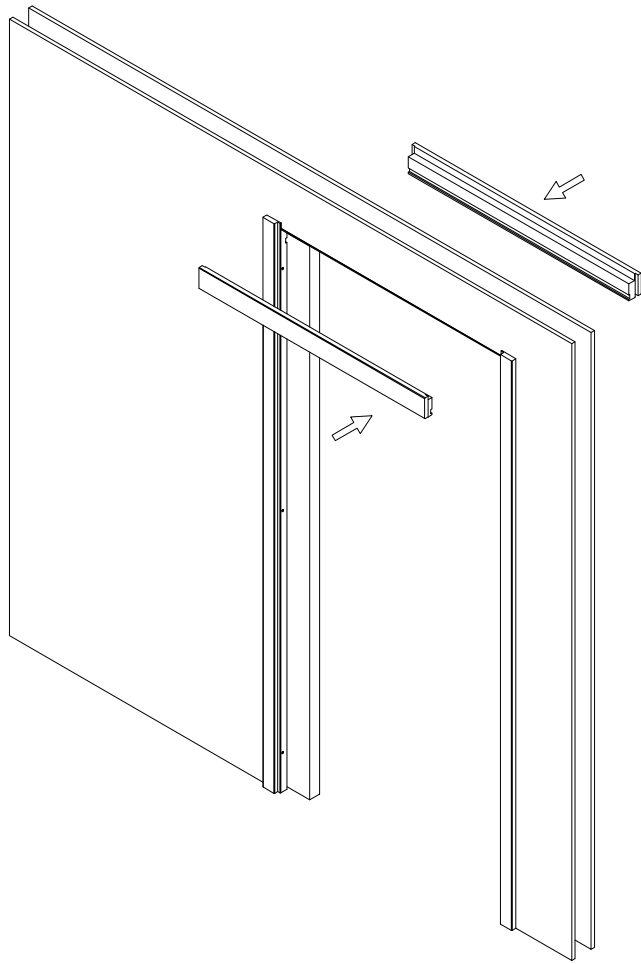
16



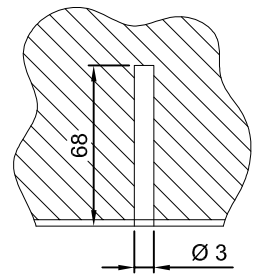
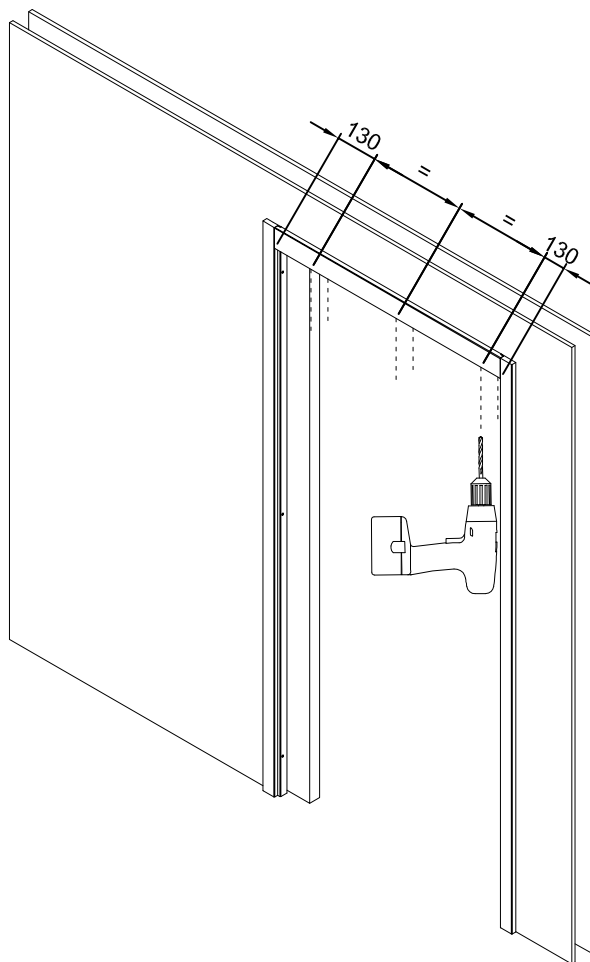
17



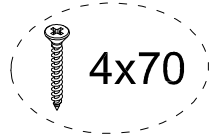
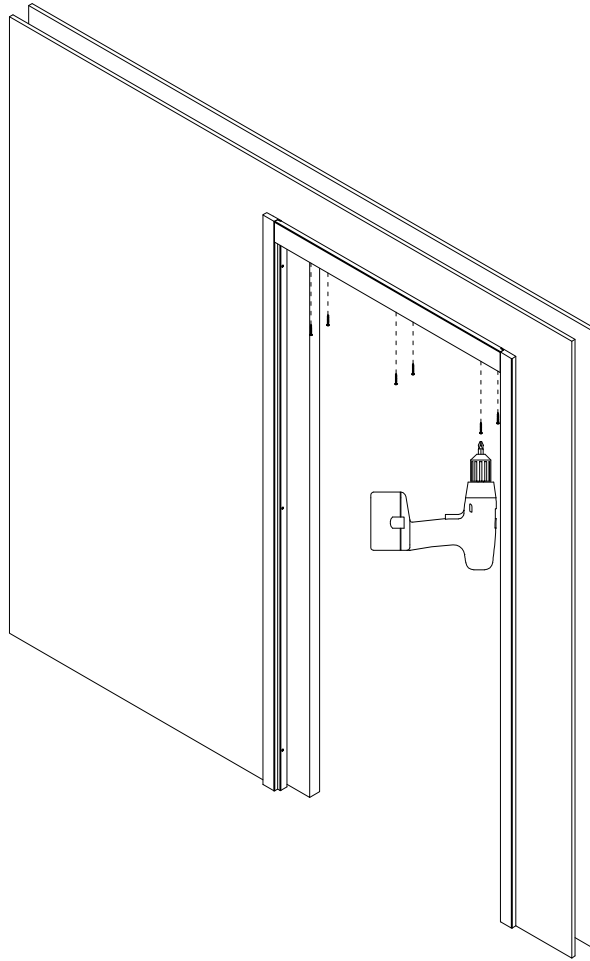
18



19



20



21

