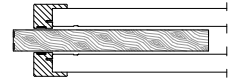
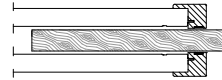
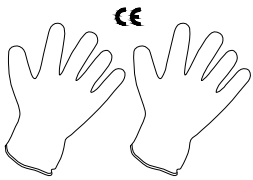


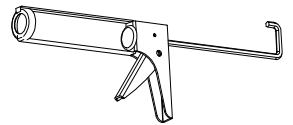
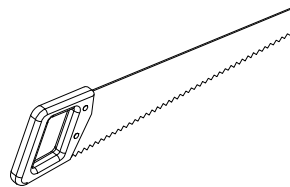
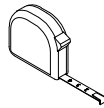
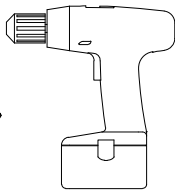
INSTALLATION INSTRUCTION FOR DOOR PANELS AND JAMBS FIRE RATED DOUBLE POCKET DOOR SYSTEMS



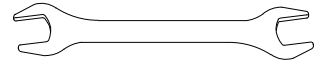
TOOLS REQUIRED



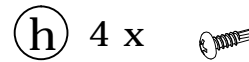
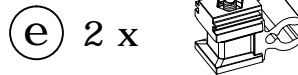
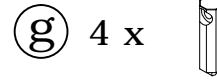
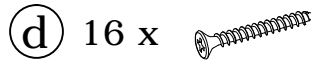
PH2 PZ2



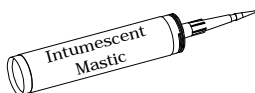
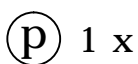
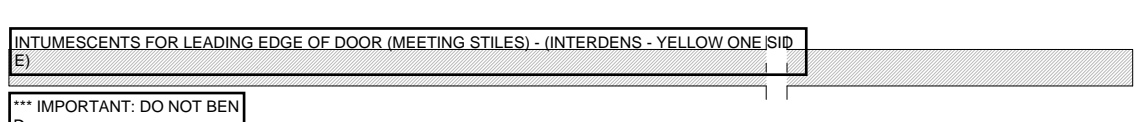
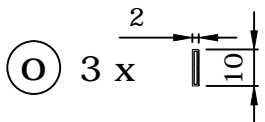
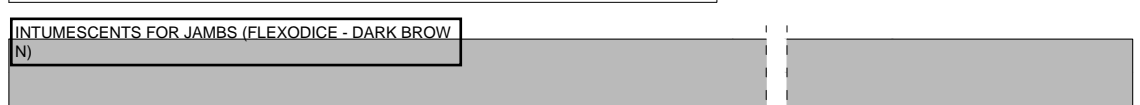
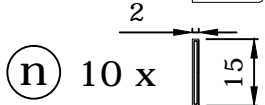
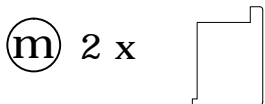
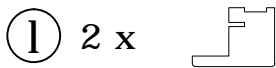
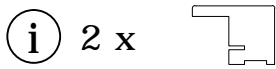
2 x CH. 13



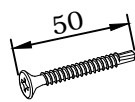
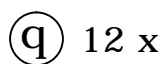
COMPONENTS



NOT INCLUDED IN THIS KIT, SUPPLIED WITH ECLISSE CLASSIC POCKET DOOR KIT

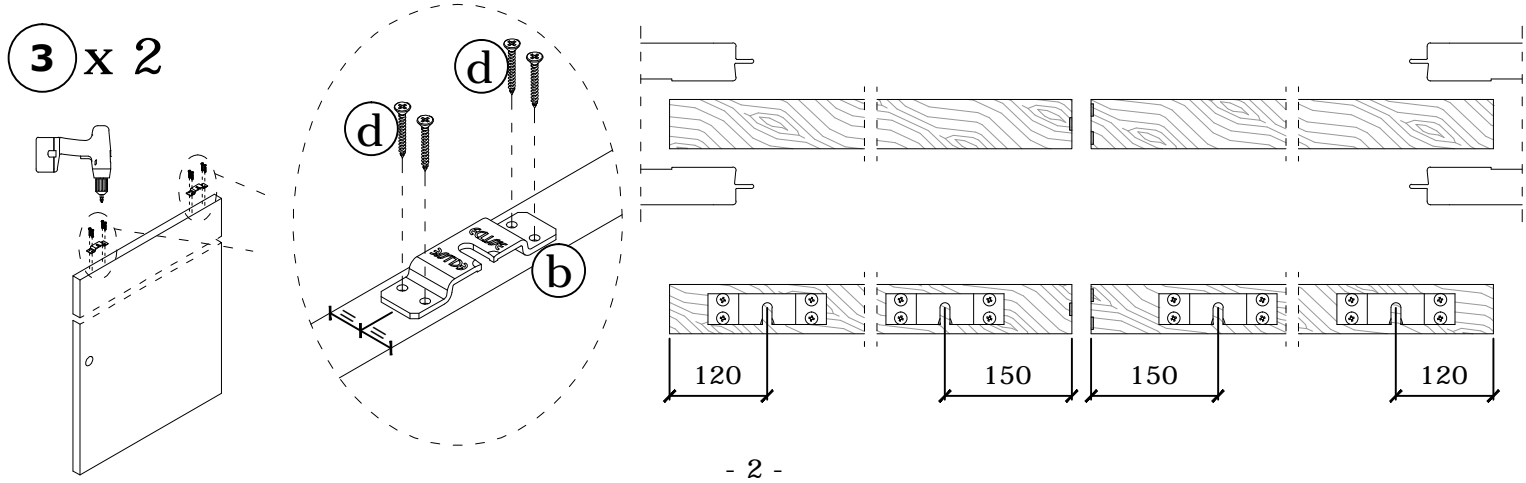
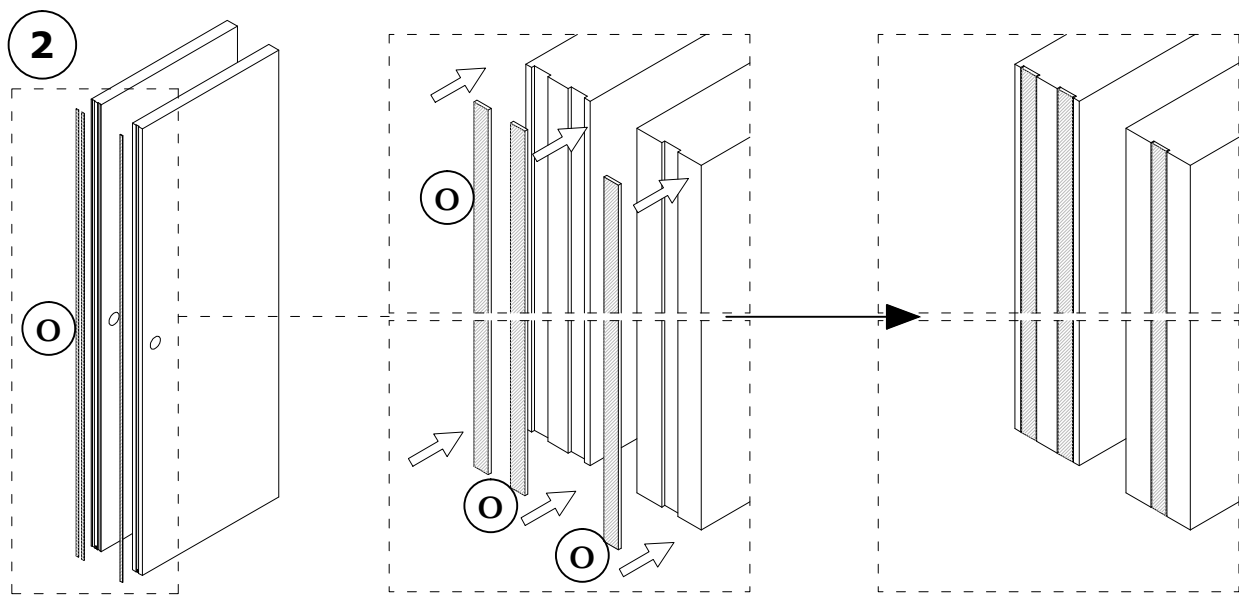
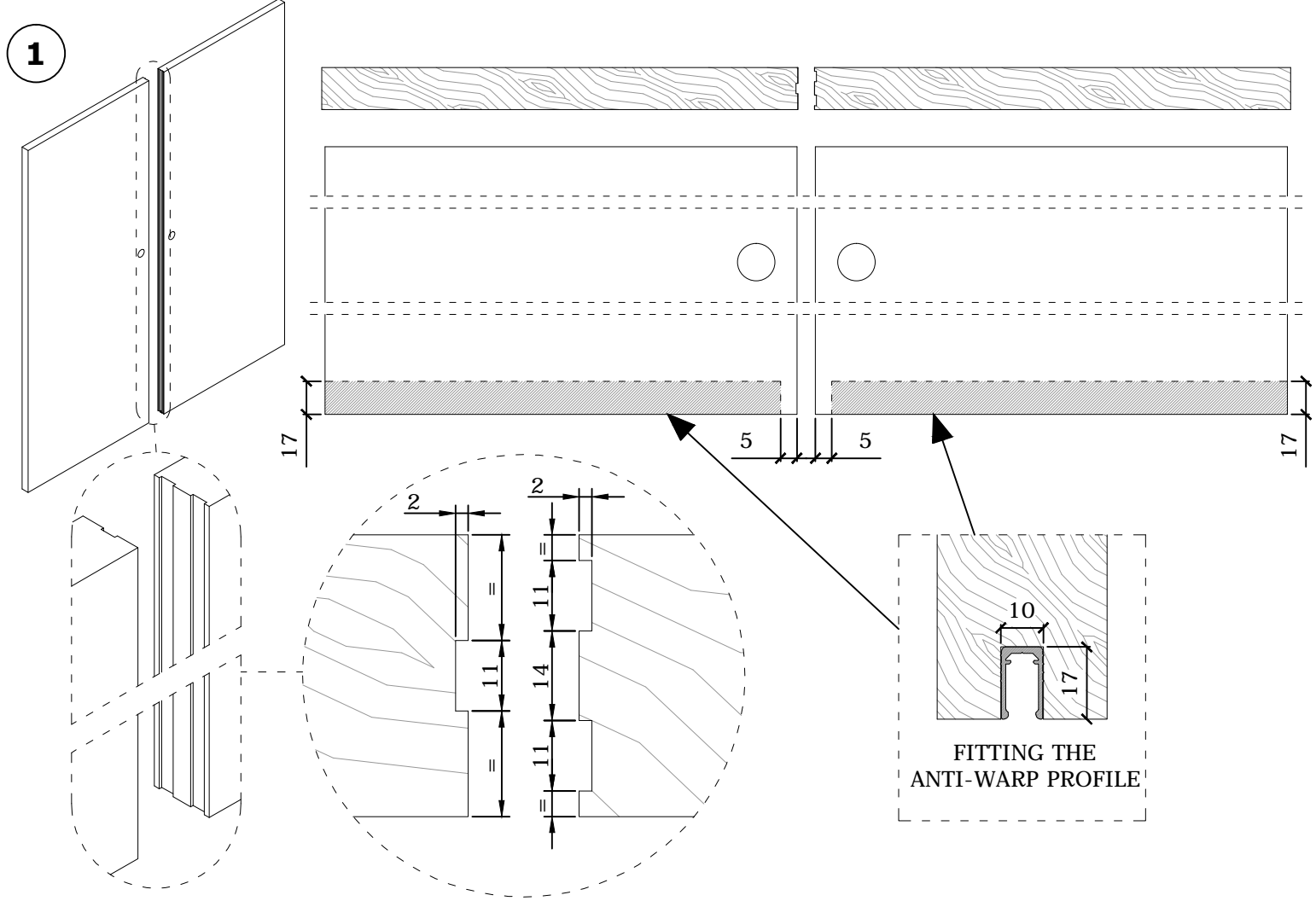


(NOT SUPPLIE D)



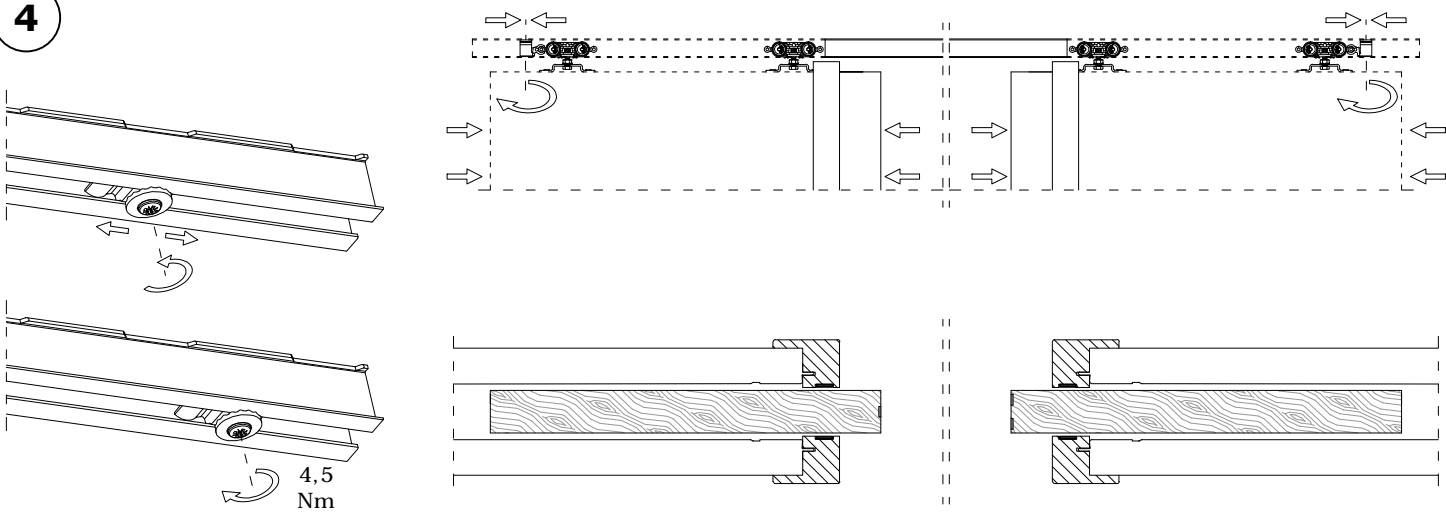
4,8 X 50

(NOT SUPPLIE D)

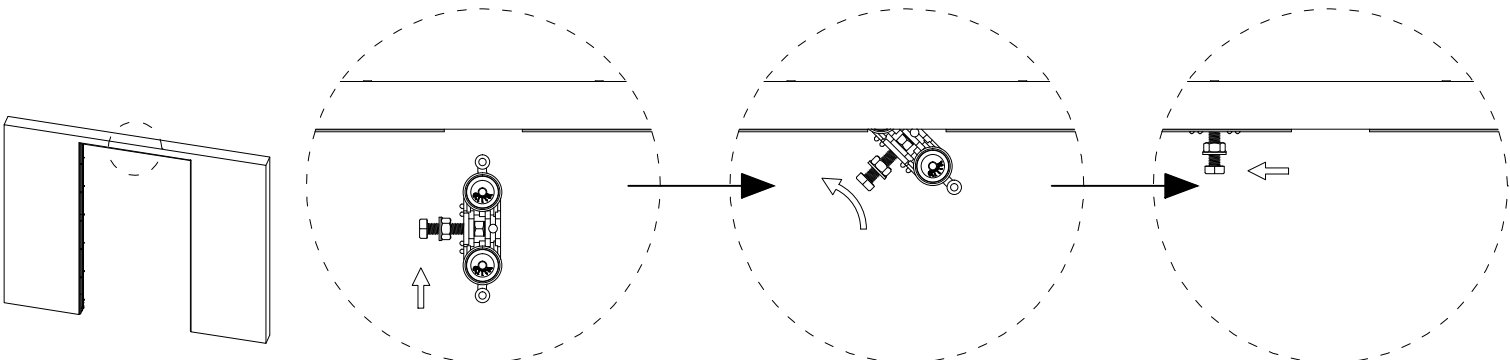
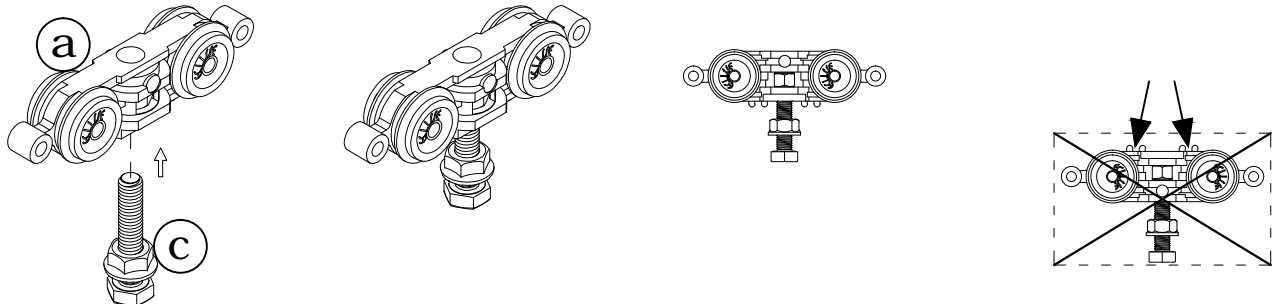


HOW TO ADJUST THE REAR STOP BEFORE INSTALLING THE DOOR

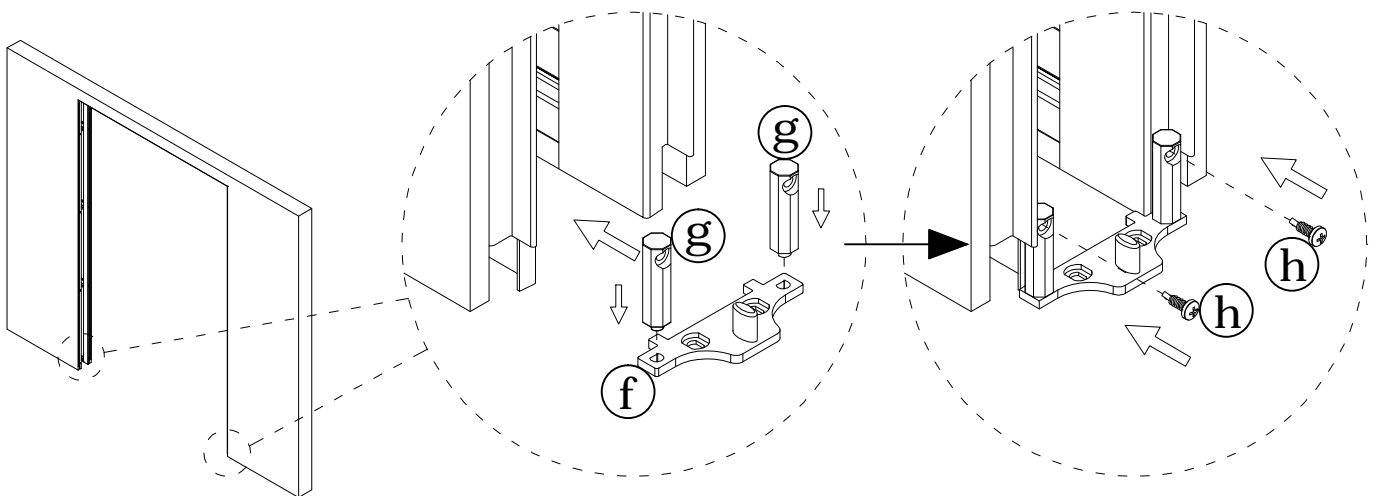
4



5 x 4

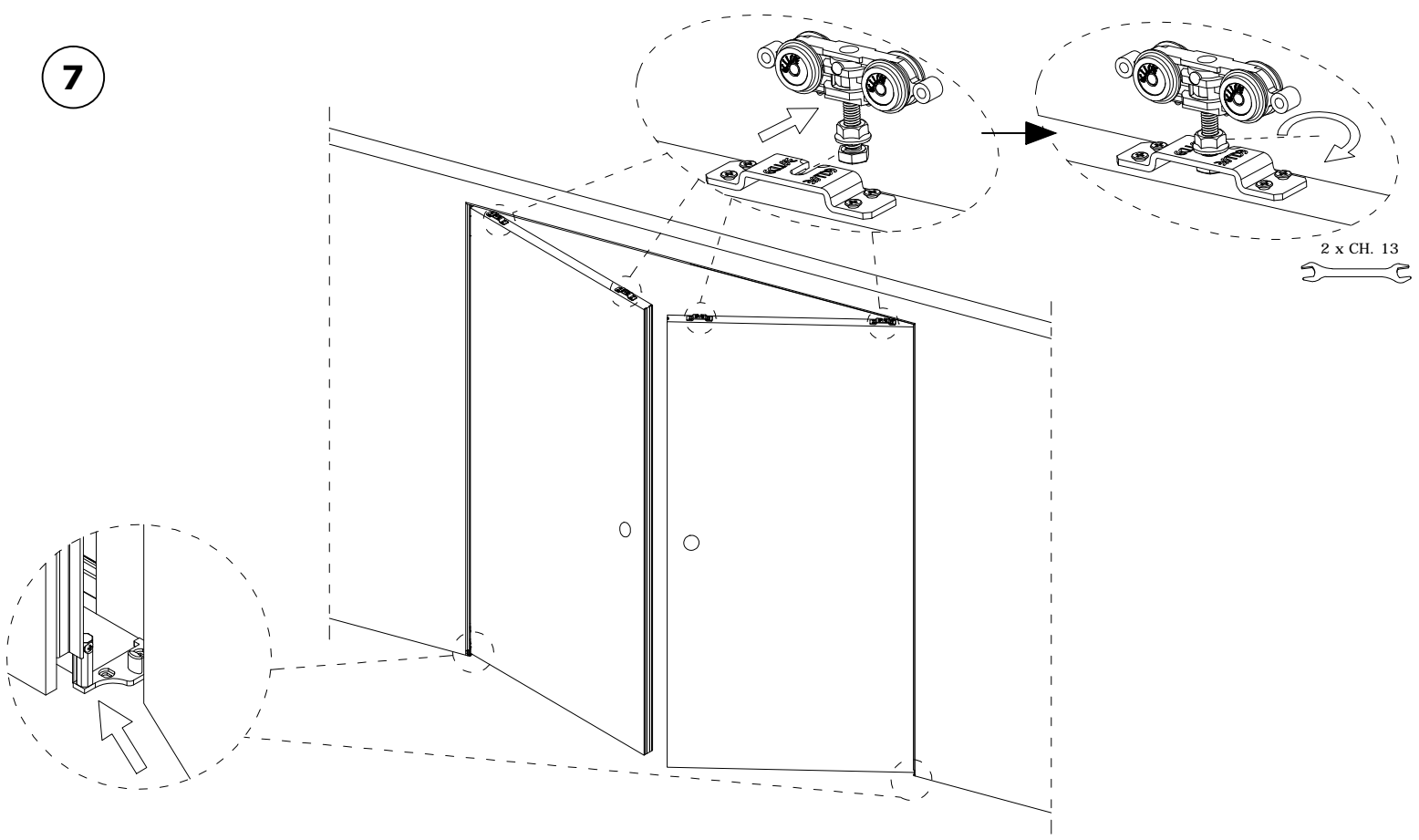


6

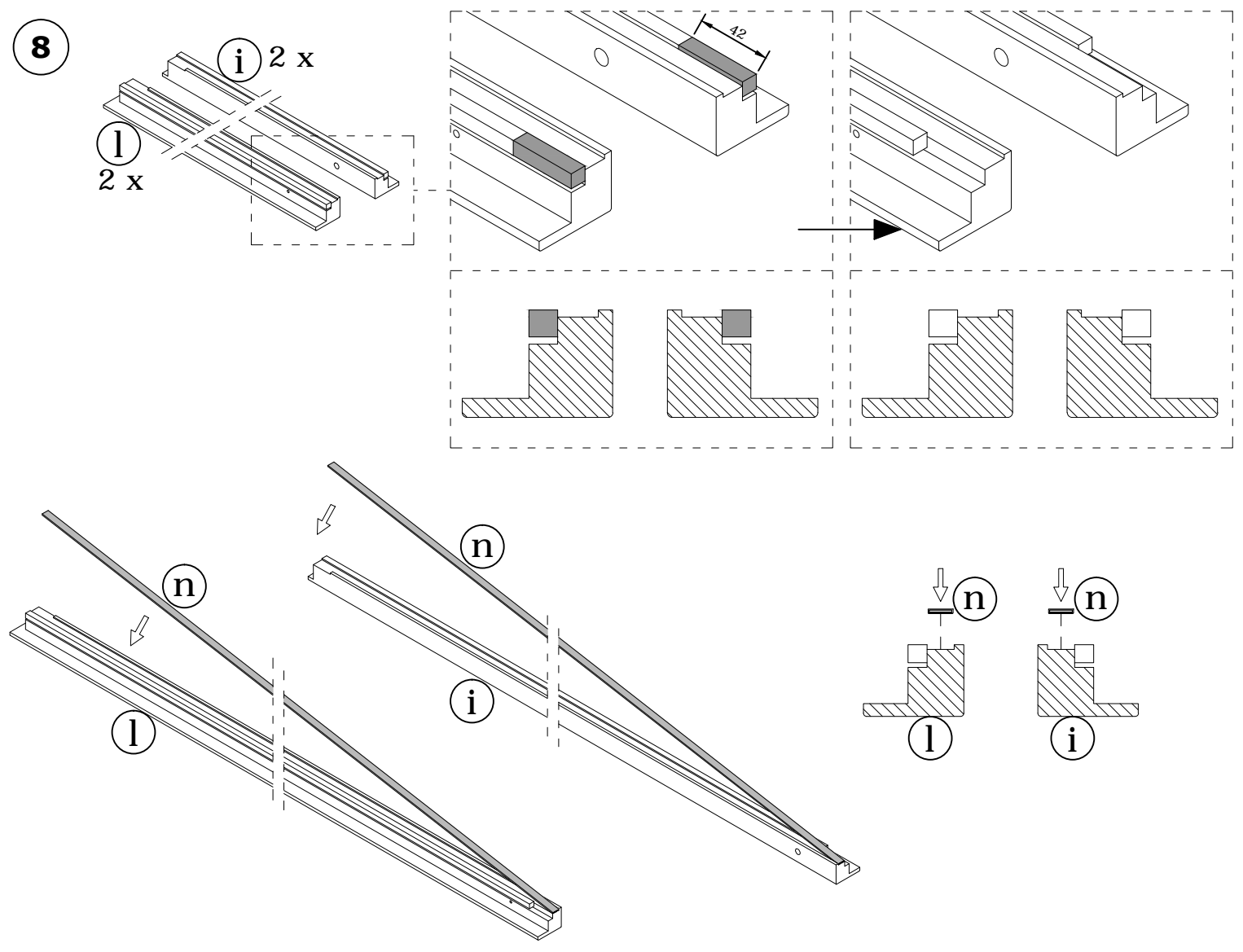


IF THE USE OF A CLOSING SYSTEM IS REQUIRED (PLEASE CHECK WITH YOUR BUILDING INSPECTOR) THEN NOW IS THE TIME TO DO SO. PLEASE REFER TO THE INSTRUCTIONS SUPPLIED WITH THE SELF CLOSER

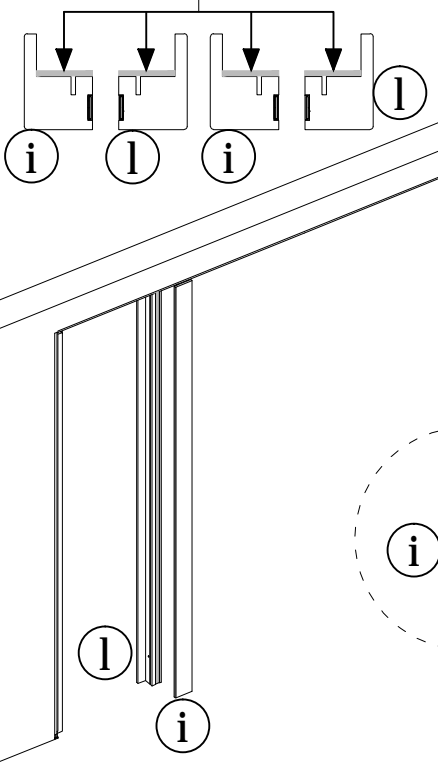
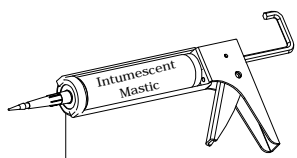
7



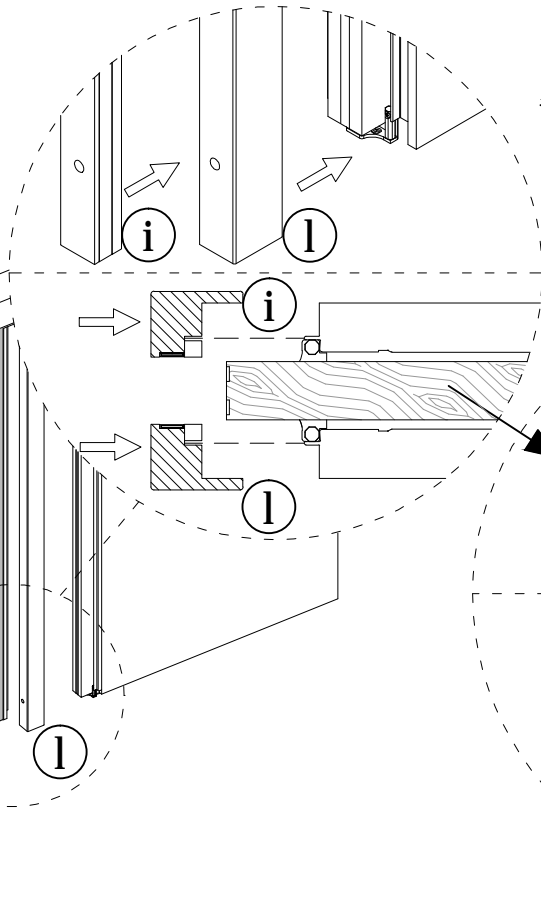
8



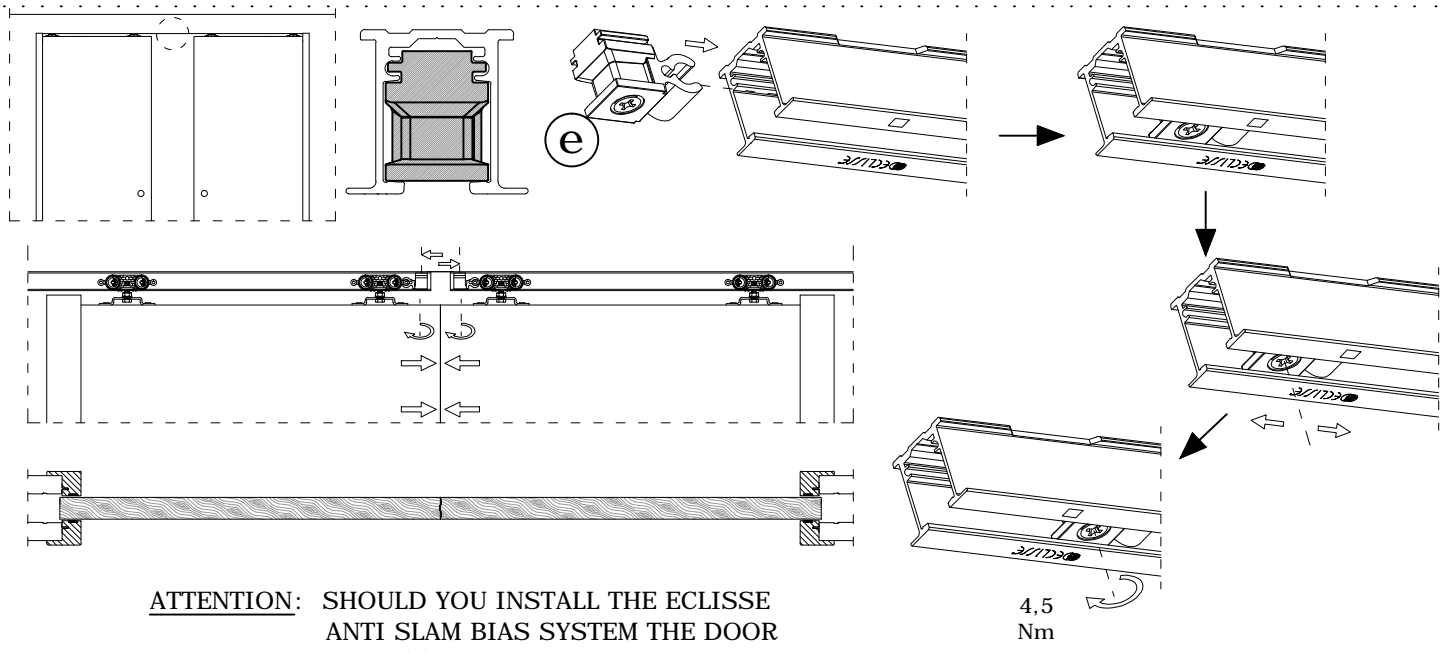
9



ATTENTION: FOR HEIGHTS ABOVE 2040 MM DOOR PANEL USE TWO SCREWS IN THE EXISTING EXTRA HOLES.

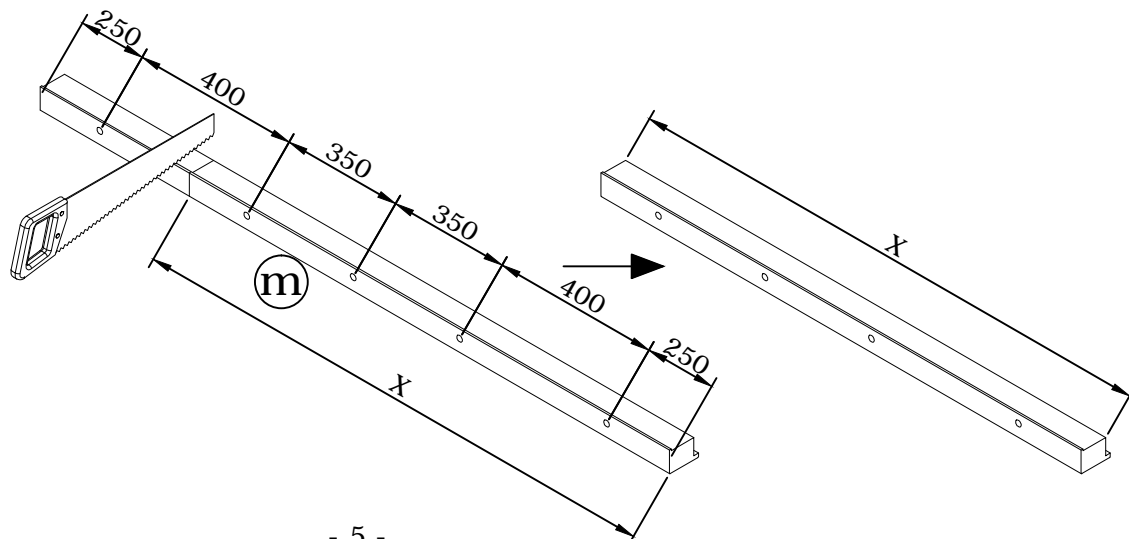
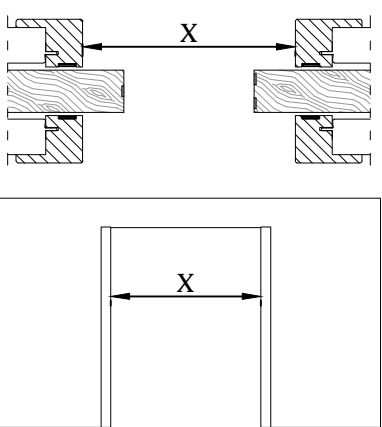


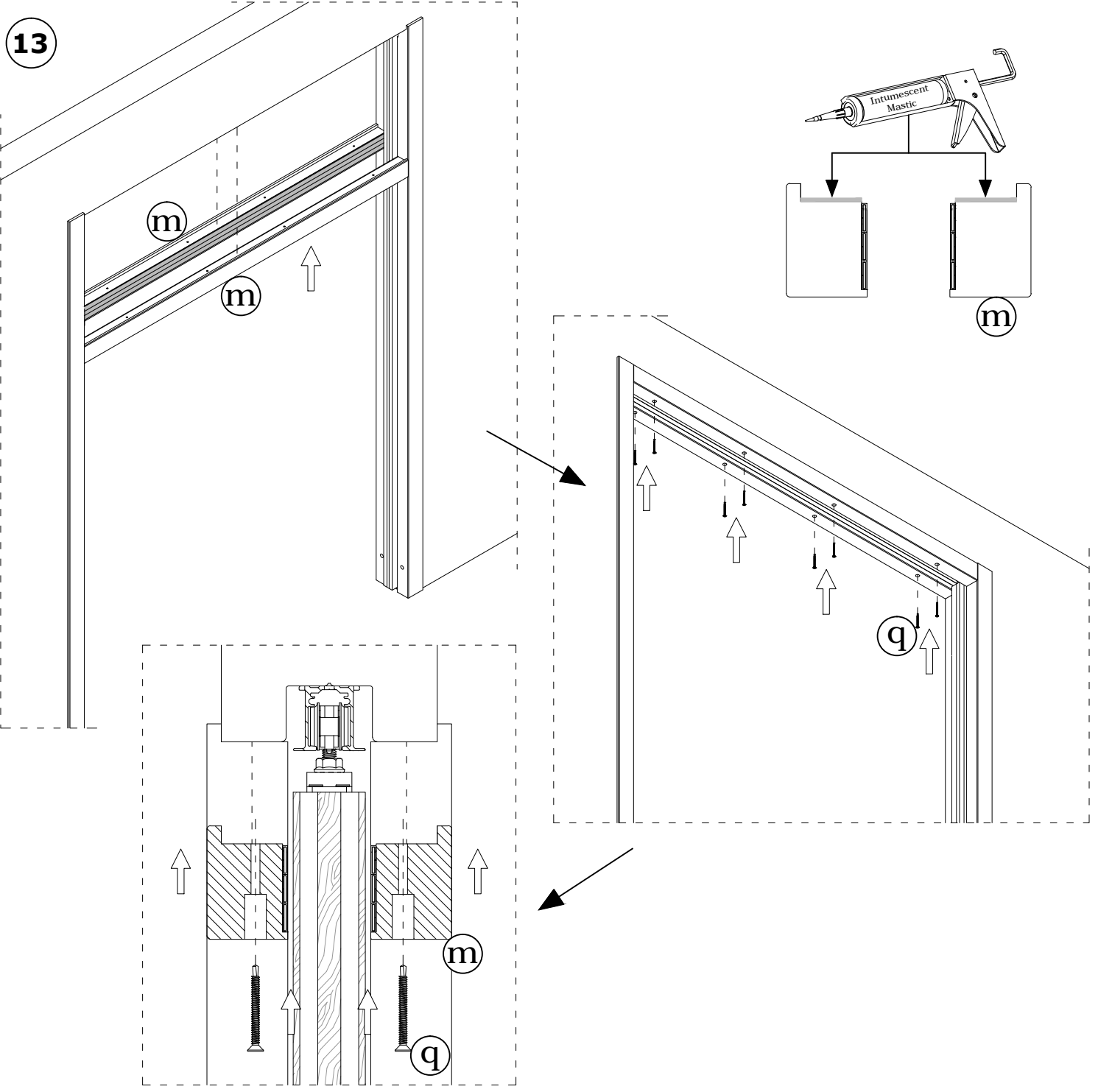
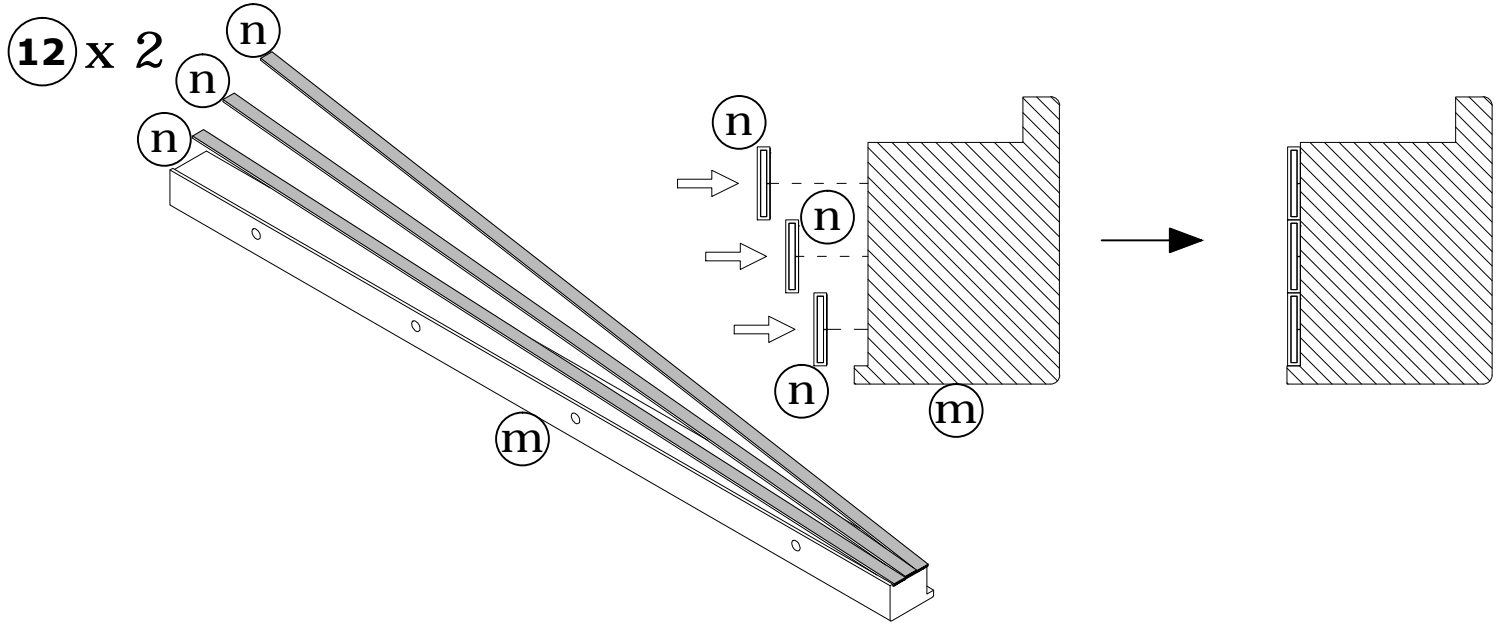
10



ATTENTION: SHOULD YOU INSTALL THE ECLISSE ANTI SLAM BIAS SYSTEM THE DOOR STOP (e) IS NO LONGER NEEDED.

11 x 2





14

