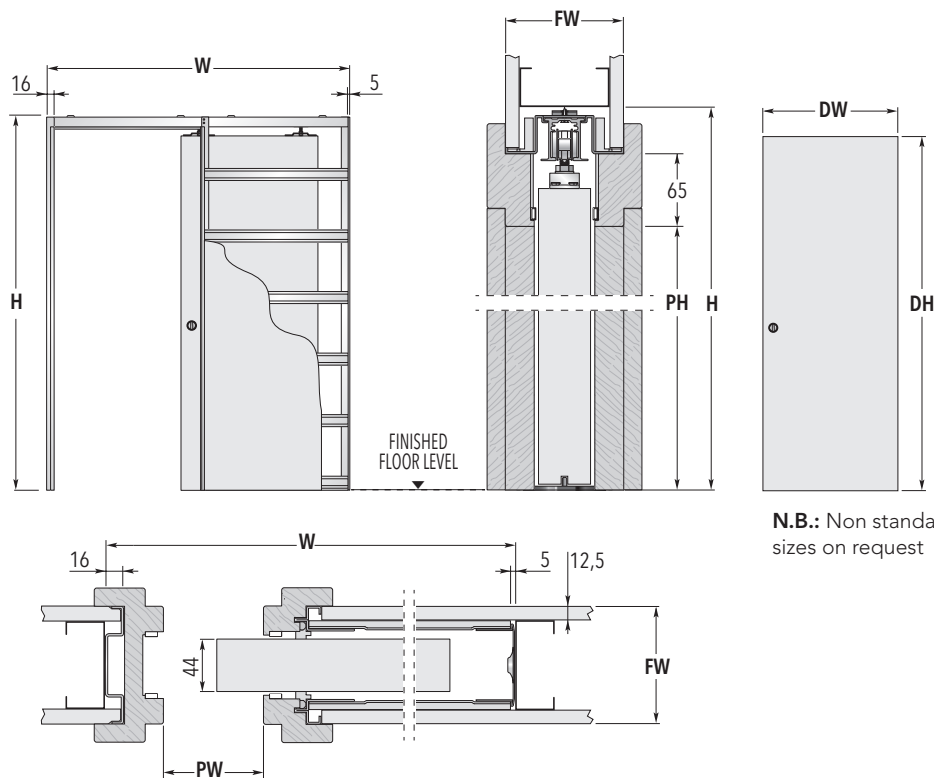


CLASSIC SINGLE FIRE RATED

SINGLE FD30 POCKET DOORS SYSTEM



N.B.: Non standard sizes on request

FRAMES FOR SINGLE DOORS			DOOR PANEL UK	
MAX. PASSAGE SIZE PW x PH	OVERALL DIMENSION W x H	FINISHED WALL FW	DW	DH
578 X 2010	1288 x 2115	100	626	2040
678 X 2010	1488 x 2115	100	726	2040
778 X 2010	1688 x 2115	100	826	2040
878 X 2010	1888 x 2115	100	926	2040
978 X 2010	2088 x 2115	100	1026	2040
563 X 1951	1273 x 2056	100	2ft. 0in. x 6ft. 6in. (610 x 1981 mm)	
639 X 1951	1449 x 2056	100	2ft. 3in. x 6ft. 6in. (686 x 1981 mm)	
715 X 1951	1625 x 2056	100	2ft. 6in. x 6ft. 6in. (762 x 1981 mm)	
791 X 1951	1701 x 2056	100	2ft. 9in. x 6ft. 6in. (838 x 1981 mm)	
878 X 1951	1888 x 2056	100	3ft. 0in. x 6ft. 6in. (914 x 1981 mm)	

Dimensions are given in mm



NOTES

- ▶ Special jambs incorporating architraves 100 mm finished wall thickness.
- ▶ Use 15 x 4 mm intumescent strips and 12,5 mm fireboard (not supplied).
- ▶ For use with 44 mm FD30 rated fire doors (not included).
- ▶ Non standard sizes please contact us. Max door weight 100 kg.
- ▶ Self-centering floor guide with anti-warp profile.



INTERNATIONAL FIRE
CONSULTANTS LTD

The system was tested to BS 476:Part 22:1987 fire resistance standard. The Field of Application Report was issued by International Fire Consultants Jan 2018.